

HARDWARE SCHEDULE

QUAN.	DESCRIPTION	CAT. NO.	FINISH	TH.	WIDTH	LENGTH/ HEIGHT	MANUFACTURE	P.O. NO.
20 EA.	SHELF PIN 5/16"		NICKEL					
20 EA.	CONCEALED HINGE 1 1/8"	114 SERIES	STOCK				SALICE	

SPECIALTY HARDWARE

QUAN.	DESCRIPTION	CAT. NO.	FINISH	TH.	WIDTH	LENGTH/ HEIGHT	REMARKS	P.O. NO.

FINISH SCHEDULE

FIN. NO.	NO.	TYPE	MANUFACTURER	CAT. NO.	DESCRIPTION	REMARKS
WS	01				STAINED	STAINED(WS-01)
WS	01				W/ POLYURETHANE COATING	
WC	10				STAINED	STAINED(WC-10)
WC	21				STAINED	STAINED(WC-21)
GT	03					

3/4" PLY.

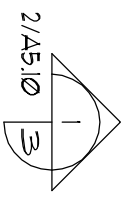
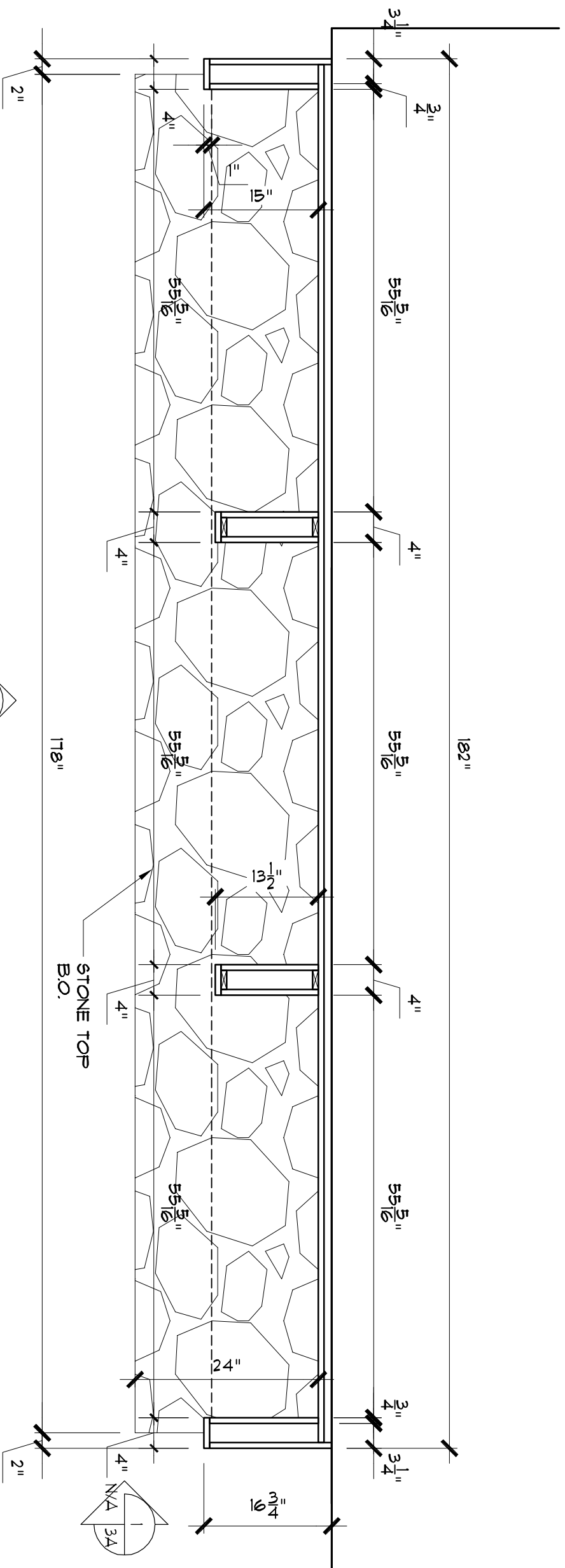
ARCHITECT PLEASE VERIFY FINISHES (SEE ELEVATION 2/AS.10 AND SECTION 11/ML-108--CONFLICTING COLORS)--SECTION FOLLOWED.

REVISIONS

NO.	REVISION	DATE
▽		
▽		
▽		
▽		
▽		

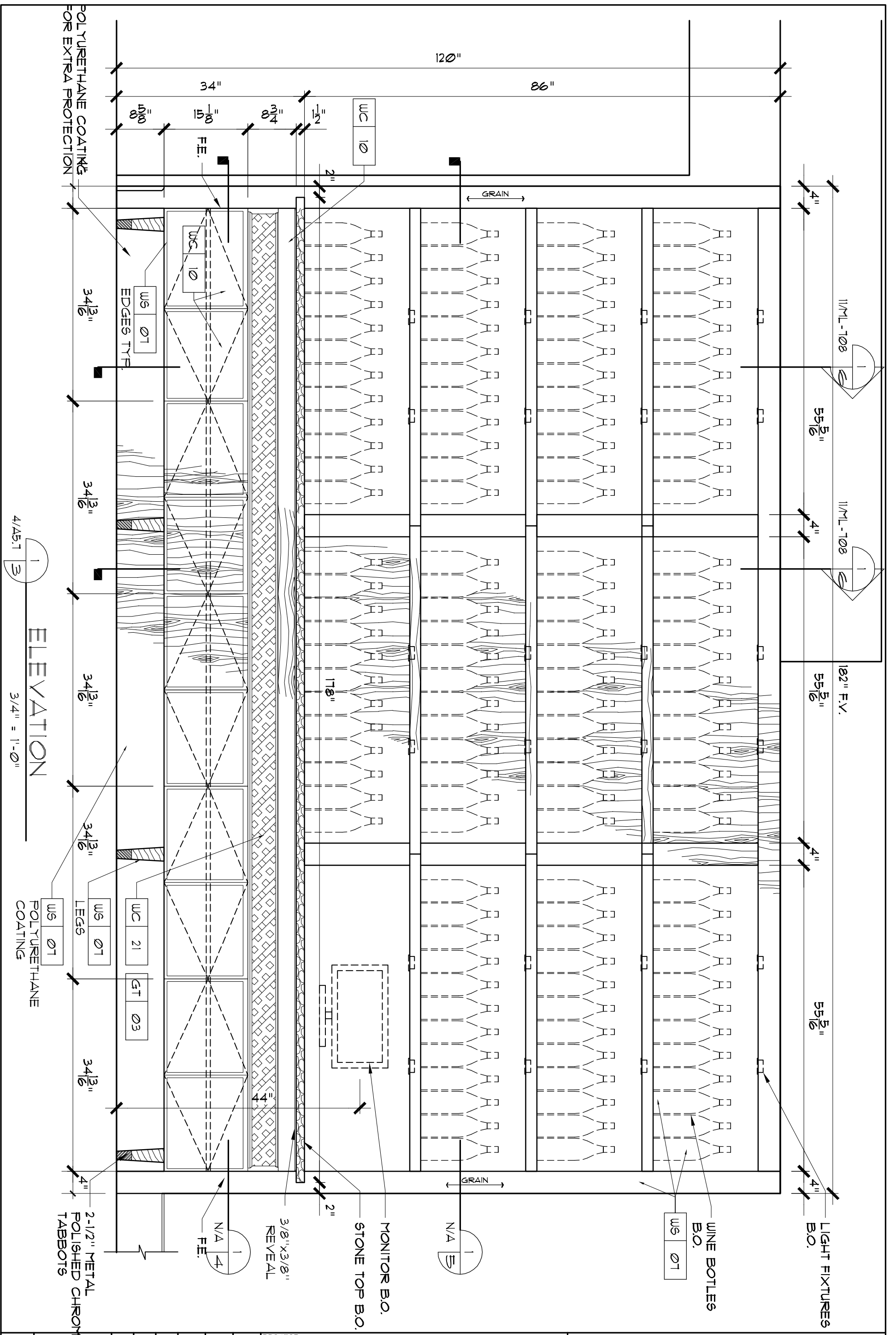
PROJECT: NEW ORLEANS MARRIOTT	LOCATION: NEW ORLEAN, LA	DRAWING TITLE: RESTAURANT WINE RACK
DRAWN BY: NB		
CHECKED BY:		
DATE: 06/06/2007		
JOB NO.: 2704		
DRAWING NO.: 14		
SHEET NO. 1 OF 7		

ARCHITECT PLEASE VERIFY FINISHES (SEE ELEVATION 4/45.1 AND SECTION 10/ML-708-CONFLICTING COLORS)-SECTION FOLLOWER.



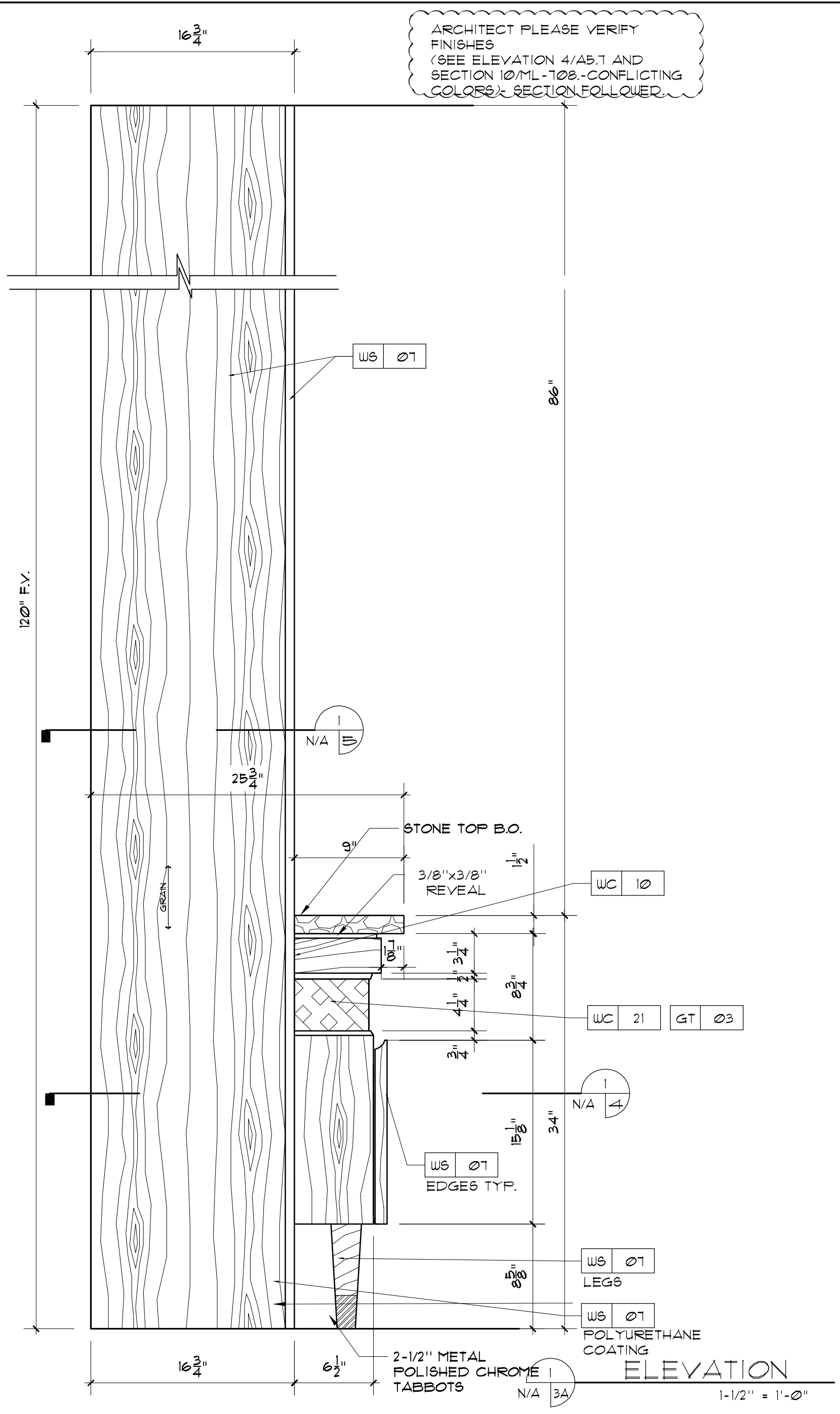
PLAN VIEW
 1/443A 2
 3/4" = 1'-0"

PROJECT: NEW ORLEANS MARRIOTT	
LOCATION: NEW ORLEAN, LA	
DRAWING TITLE: RESTAURANT WINE RACK	
DRAWN BY NB	CHECKED BY
DATE 06/06/2007	
JOB NO. 2704	
DRAWING NO. 14	
SHEET NO. 2 OF 7	



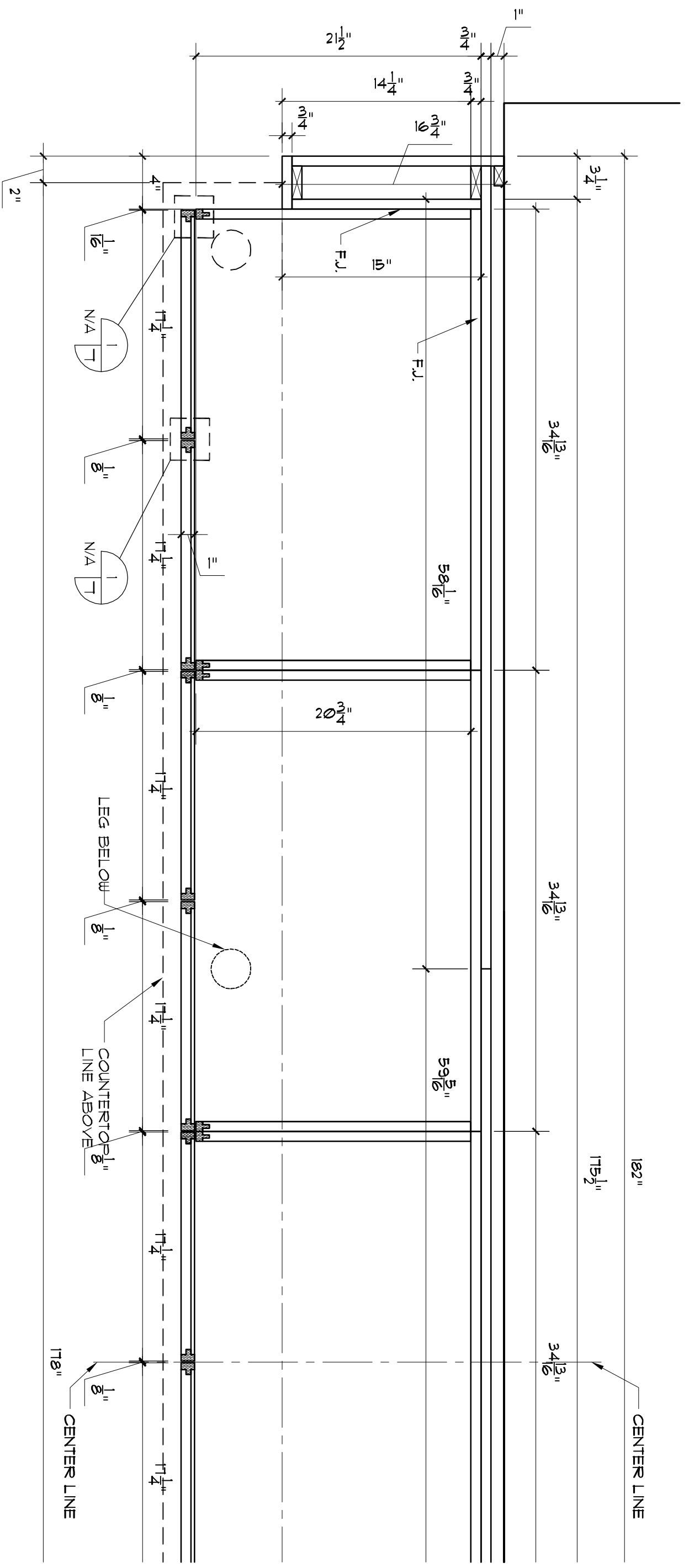
PROJECT: NEW ORLEANS MARRIOTT LOCATION: NEW ORLEAN, LA DRAWING TITLE: RESTAURANT WINE RACK	JOB NO. 2704
	DATE 06/06/2007
DRAWN BY NB	CHECKED BY NB
SHEET NO. 14 3 OF 7	DRAWING NO.

ARCHITECT PLEASE VERIFY FINISHES (SEE ELEVATION 4/A5.1 AND SECTION 10/ML-708.-CONFLICTING COLORS)- SECTION FOLLOWER.



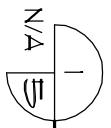
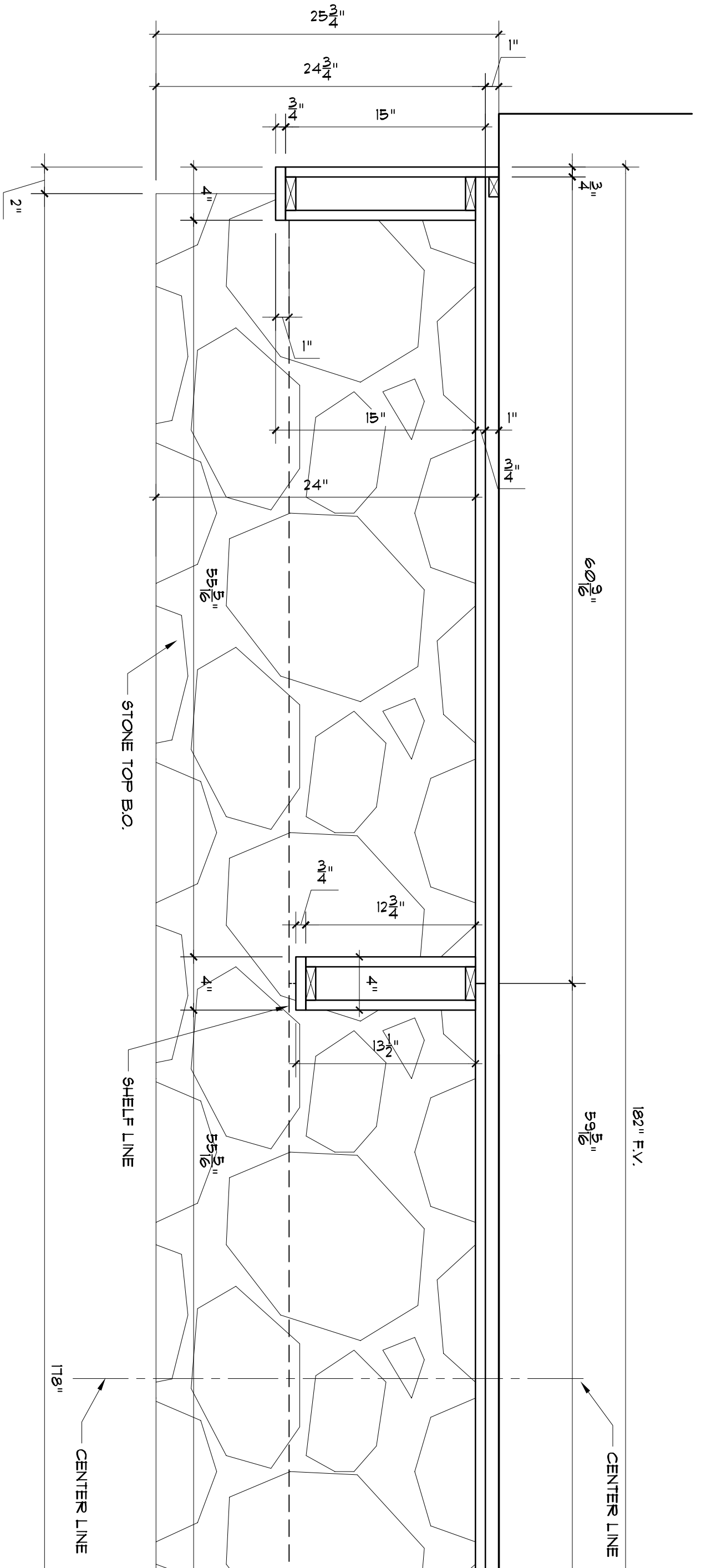
ELEVATION
1-1/2" = 1'-0"

SHEET NO. 3A OF 7	DRAWING NO. 14	JOB NO. 2704	DATE 06/06/2007	CHECKED BY NB	DRAWN BY NB	PROJECT: NEW ORLEANS MARRIOTT
						LOCATION: NEW ORLEAN, LA
						DRAWING TITLE: RESTAURANT WINE RACK



SECTION
 1-1/2" = 1'-0"

PROJECT: NEW ORLEANS MARRIOTT	
LOCATION: NEW ORLEAN, LA	
DRAWING TITLE: RESTAURANT WINE RACK	
DRAWN BY: NB	CHECKED BY:
DATE: 06/06/2007	
JOB NO. 2704	
DRAWING NO. 14	
SHEET NO. 4 OF 7	



SECTION
1-1/2" = 1'-0"

PROJECT:
NEW ORLEANS MARRIOTT
LOCATION:
NEW ORLEAN, LA
DRAWING TITLE:
RESTAURANT WINE RACK

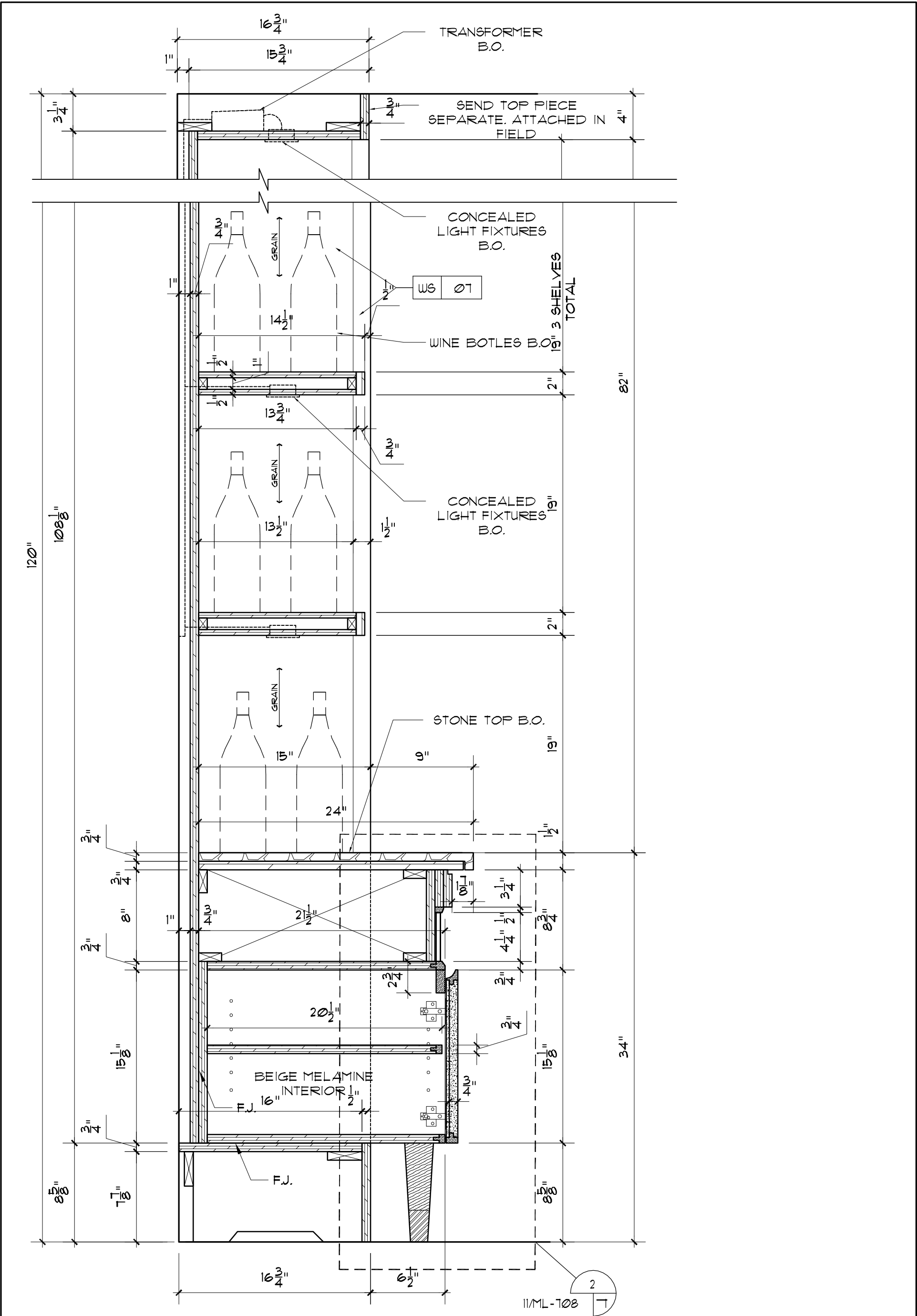
DRAWN BY
NB
CHECKED BY

DATE
06/06/2007

JOB NO.
2704

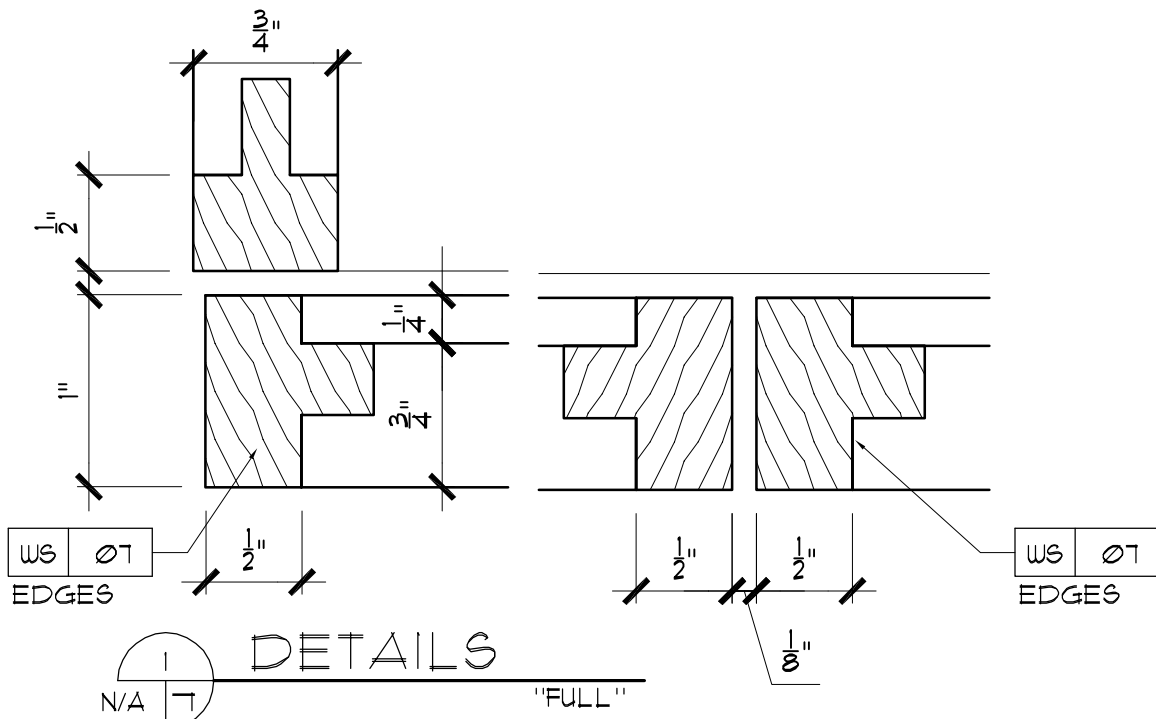
DRAWING NO.
14

SHEET NO.
5 OF 7

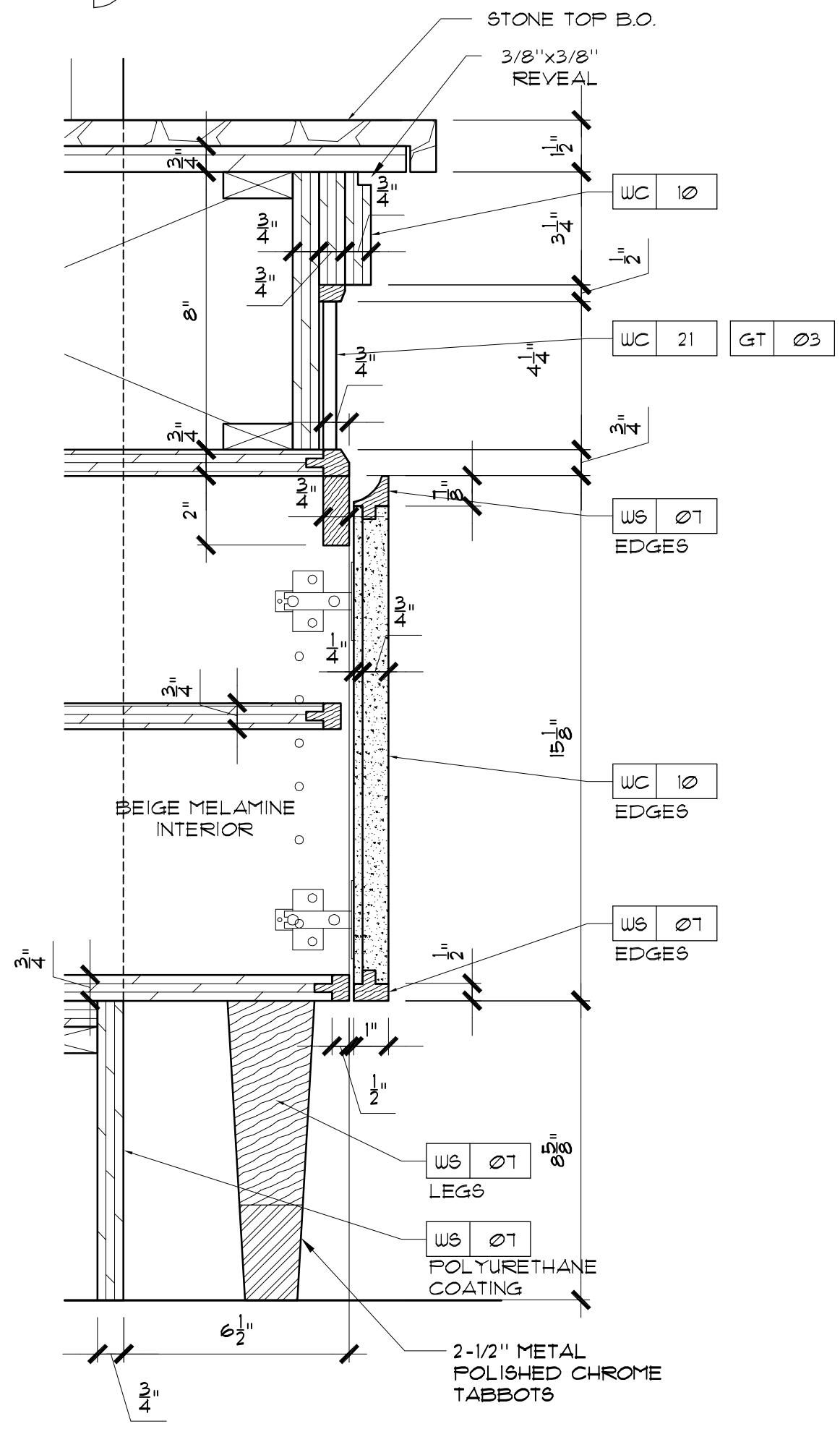


SECTION
 10/ML-708 1-1/2" = 1'-0"

SHEET NO. 6 OF 7	DRAWING NO. 14	JOB NO. 2704	DATE 06/06/2007	CHECKED BY NB	DRAWN BY NB	PROJECT: NEW ORLEANS MARRIOTT
						LOCATION: NEW ORLEAN, LA
						DRAWING TITLE: RESTAURANT WINE RACK



1
N/A
DETAILS
"FULL"



2
SECTION
3" = 1'-0"

SHEET NO. 7 OF 7	DRAWING NO. 14	JOB NO. 2704	DATE 06/06/2007	CHECKED BY NB	DRAWN BY NB	PROJECT: NEW ORLEANS MARRIOTT
						LOCATION: NEW ORLEAN, LA
						DRAWING TITLE: RESTAURANT WINE RACK