

1 PLAN. @ FIXTURES #4, #5, #7, #8, #9, #10, & #11
 2.01 ARCH'T. REF: 1/AV.1 1/2" = 1'-0"

FINISHES

2.008	ALDER HARDWOOD, STAINED TO MATCH ARCHITECT SAMPLE
2.008	ALDER VENEER, STAINED TO MATCH ARCHITECT SAMPLE ON PLYWOOD CORE

HARDWARE:

-SEE SHEET 2.02

QTY.	UNIT	ITEM / DESCRIPTION
4	PRS.	ACCURIDE *3932 FULL-EXT. 100 LBS. FILE DRAWER SLIDES - 20" (ANODCHROME FINISH)
2	PRS.	ACCURIDE *3932 FULL-EXT. 100 LBS. FILE DRAWER SLIDES - 18" (ANODCHROME FINISH)
2	EA.	RECESSED LIGHTS: HAFELE*82420xxx TBD. FINISH
2	EA.	LOW VOLT TRANSFORMER BY HAFELE.
2	EA.	SHELF DISPLAY STANDARDS DISPLAY ARM-REEVES 100 SERIES, MATTE BLACK
2	EA.	DISPLAY ARMS: CUSTOM 2" OVERALL, WITH 11 FIXED GARMENT POSITIONS, BLACK POWDER COAT.
12	EA.	BLUM 1100 SERIES T16550 W/ T1318100 FULL OVERLAY SELF CLOSING CLIP HINGE
36	EA.	TREND F35MNI 5MM STEEL PIN - BRIGHT NICKEL SHELF SUPPORT

PROJECT
LOST MARSH CLUBHOUSE
 Hammond, IN

DRAWING TITLE
DISPLAY UNITS
 MISC. DISPLAY UNITS

JOB NO.
2008

DRAWN BY
NB

CHECKED BY

DATE
03/20/2008

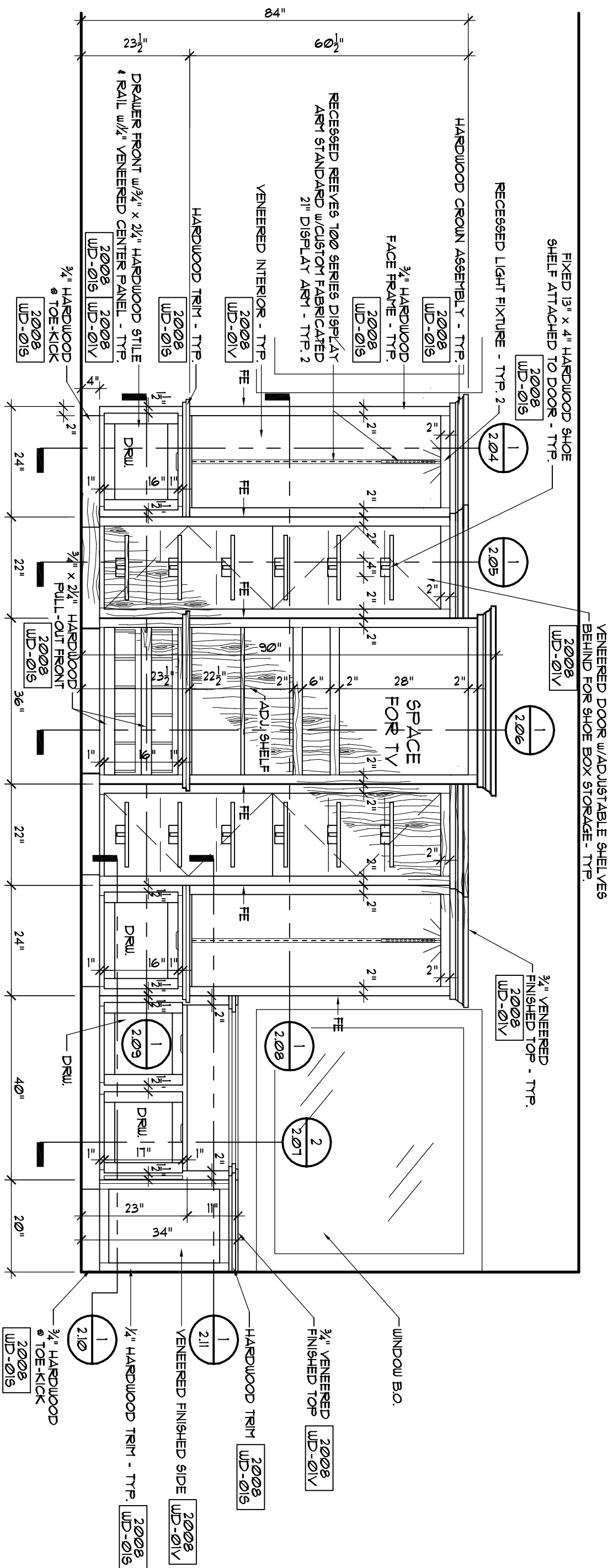
REV1 00-00-00

REV2 00-00-00

REV3 00-00-00

DWG. NO.
2

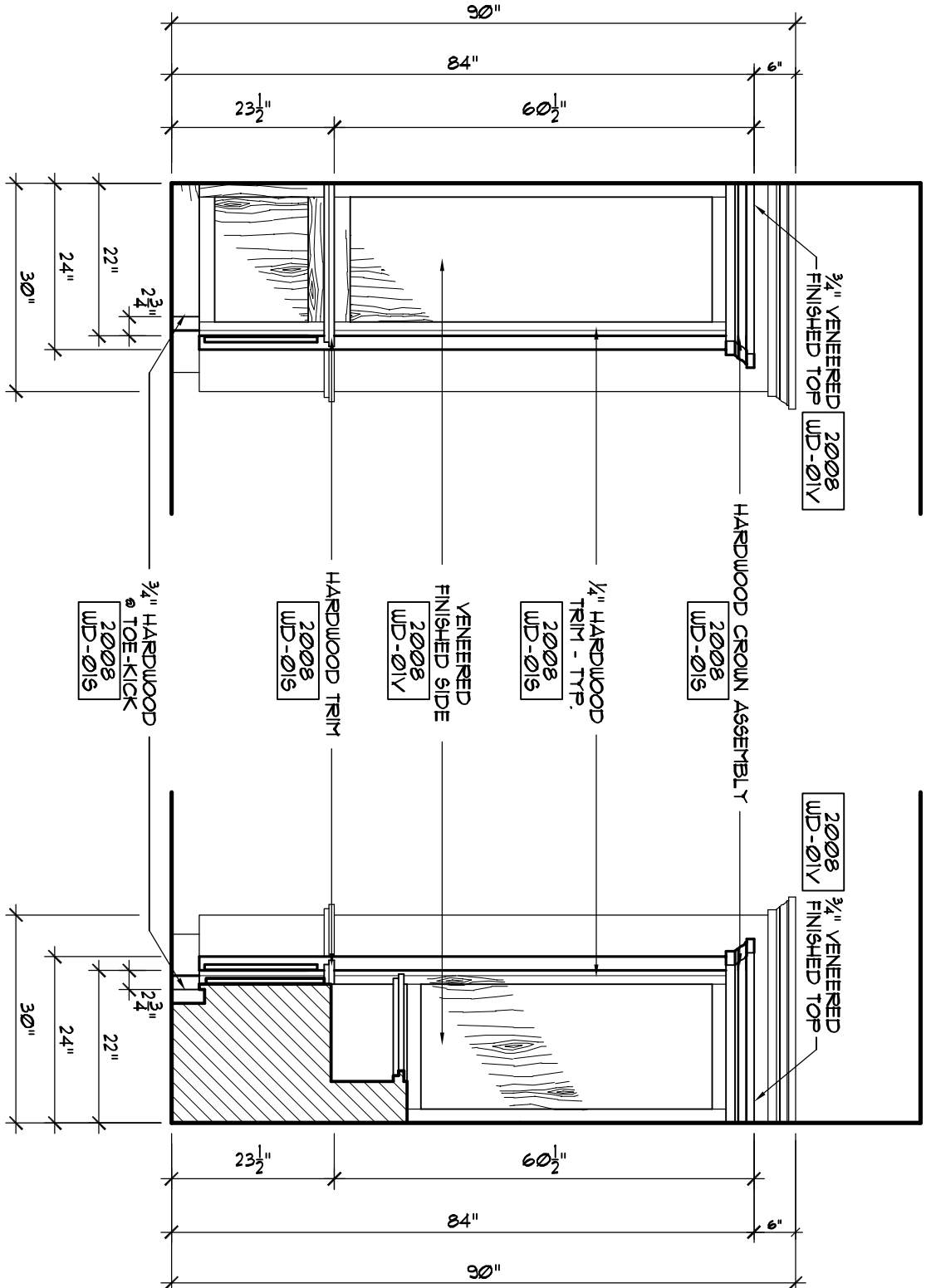
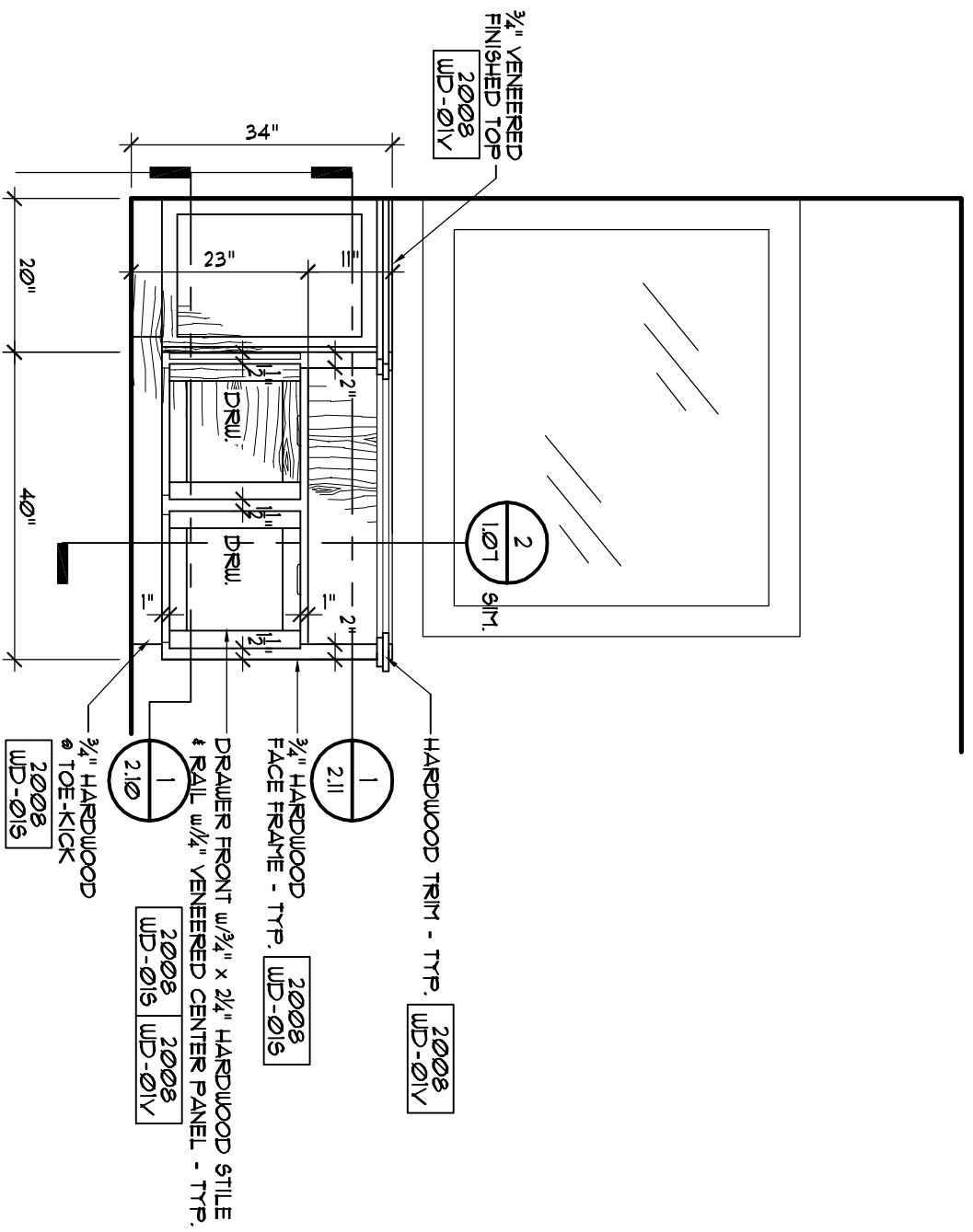
SHEET NO.
2.01



1 ELEV. @ FIXTURES #4, #5, #7, #8, #9, #10, & #11
 2.02 ARCH'T. REF: A/AT.1 - 1/2" = 1'-0"

PROJECT	LOST MARSH CLUBHOUSE Hammond, IN
DRAWING TITLE	MISC. DISPLAY UNITS
JOB NO.	2008
DRAWN BY	
CHECKED BY	
DATE	
REV 1	00-00-00
REV 2	00-00-00
REV 3	00-00-00
DWG. NO.	2
SHEET NO.	2.02

HARDWARE:		
QTY.	UNIT	ITEM / DESCRIPTION
2	PRS.	ACCURIDE #3832 FULL-EXT. 100 LBS. FILE DRAWER SLIDES - 18" (ANODIZED FINISH)



1 ELEV. @ FIXTURE #11

2.03 ARCH'T. REF: B/A7.1 1/2" = 1'-0"

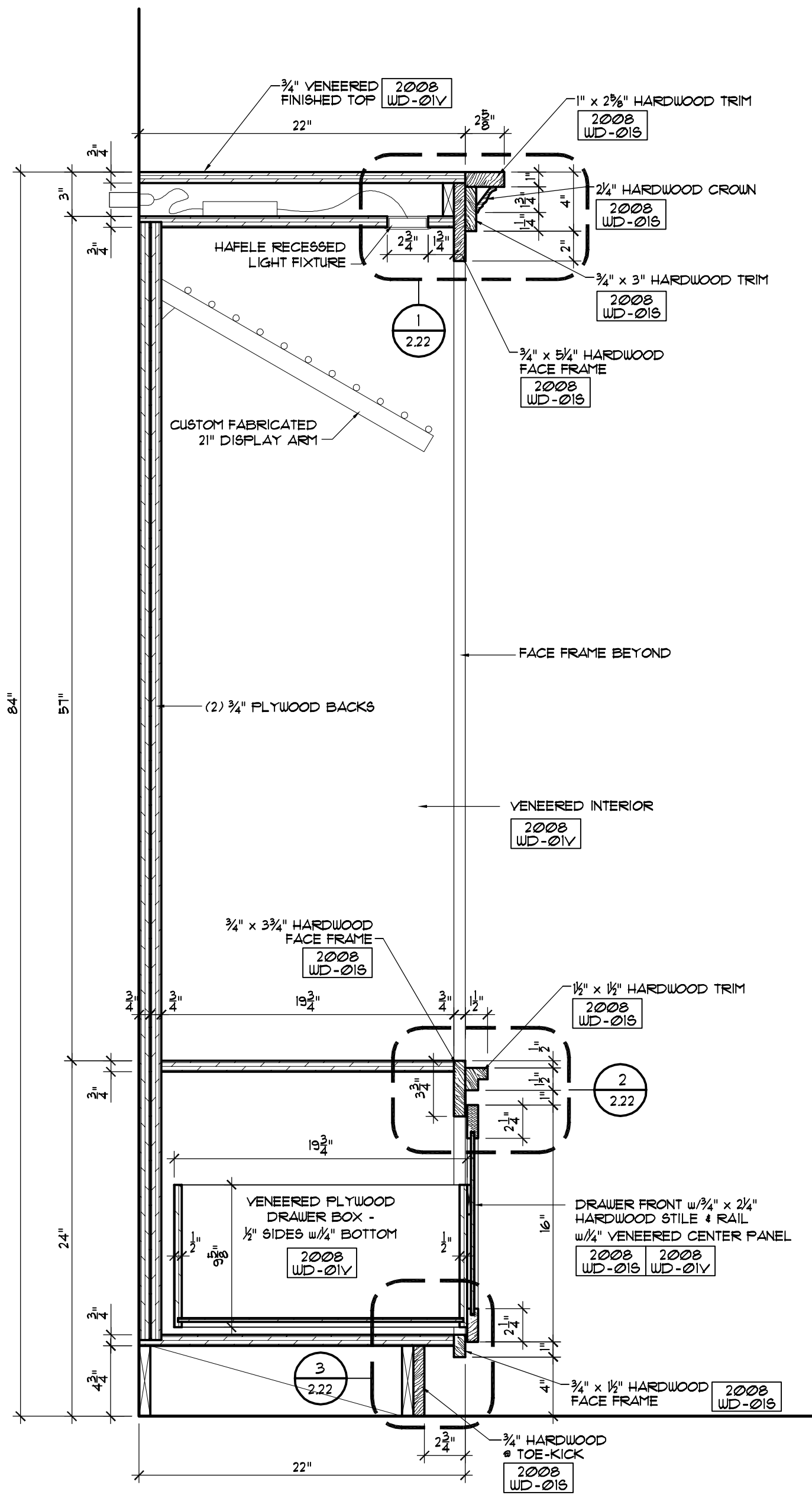
2 SIDE ELEV. @ FIXTURE #4

2.03 ARCH'T. REF: A/A7.1 - 1/2" = 1'-0"

3 SIDE ELEV. @ FIXTURE #5

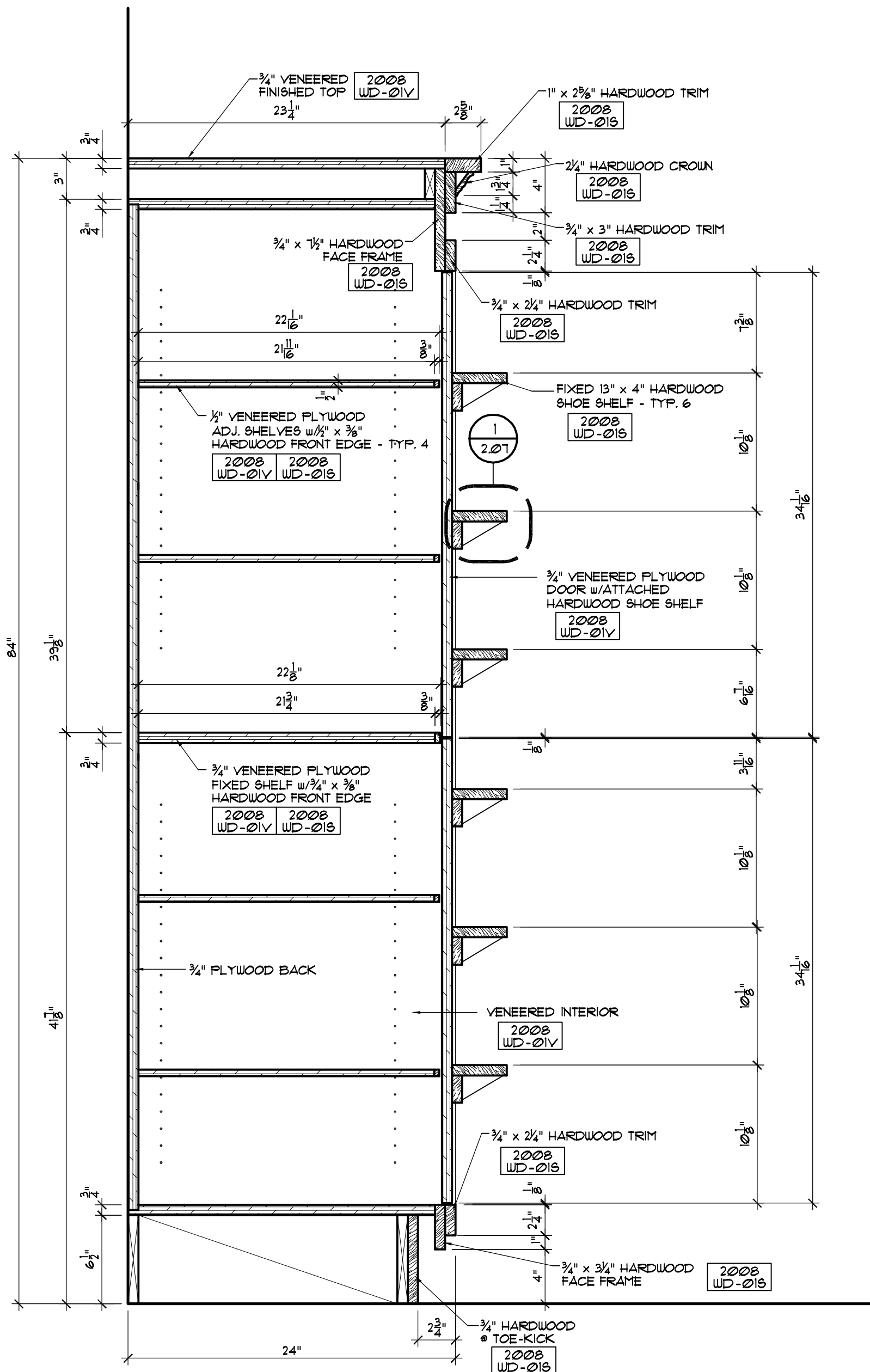
2.03 ARCH'T. REF: A/A7.1 - 1/2" = 1'-0"

PROJECT	LOST MARSH CLUBHOUSE Hammond, IN
DRAWING TITLE	MISC. DISPLAY UNITS
JOB NO.	2008
DRAWN BY	
CHECKED BY	
DATE	
REV 1	00-00-00
REV 2	00-00-00
REV 3	00-00-00
DWG. NO.	2
SHEET NO.	2.03



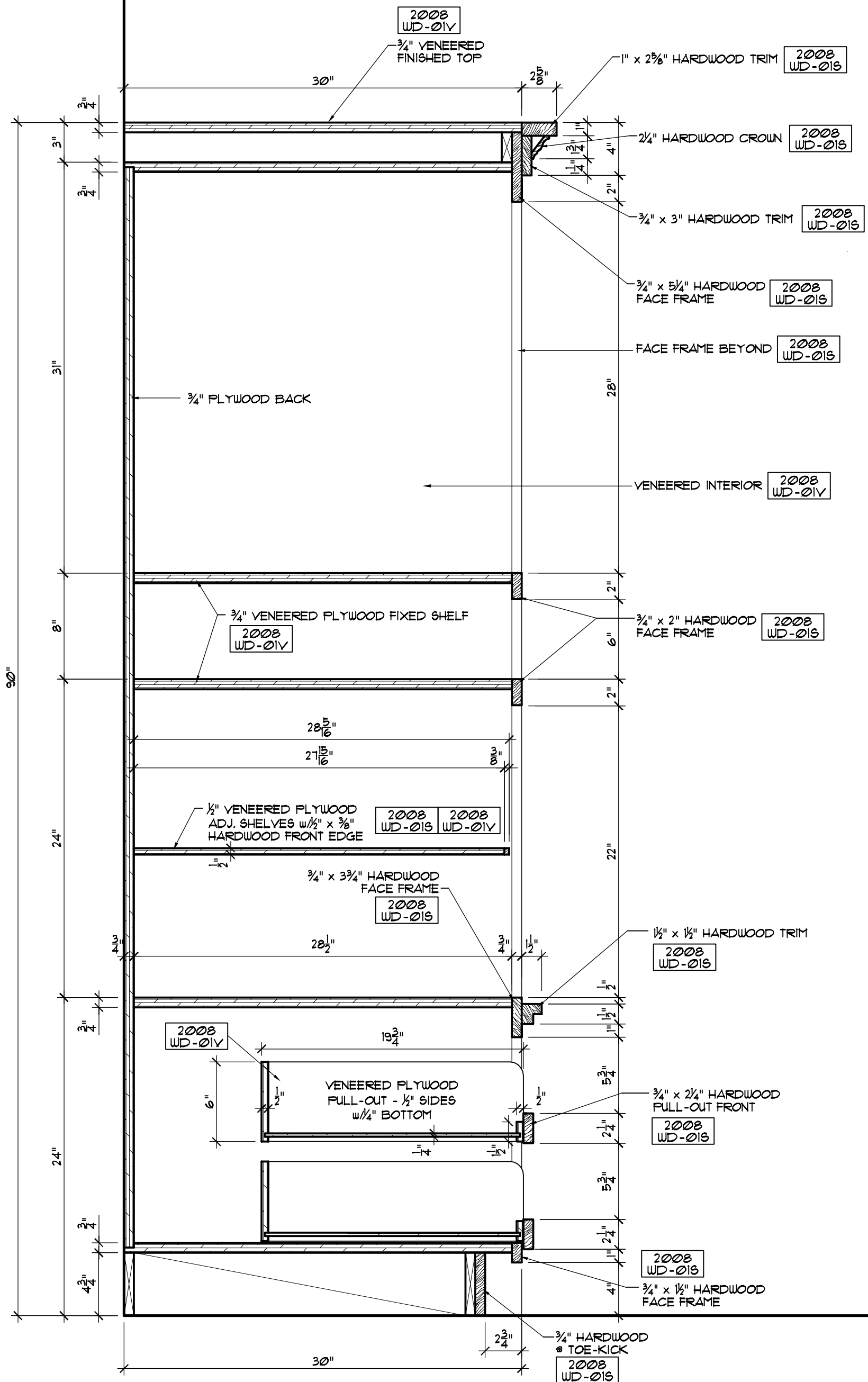
1 SECTION
 2.04 ARCH'T. REF: ??? 1 1/2" = 1'-0"

SHEET NO. 2.04	DWG. NO. 2	REVISIONS REV1 00-00-00 REV2 00-00-00 REV3 00-00-00	CHECKED BY DATE	DRAWN BY JOB NO. 2008	PROJECT LOST MARSH CLUBHOUSE Hammond, IN	DRAWING TITLE MISC. DISPLAY UNITS
--------------------------	----------------------	--	------------------------	--	---	---



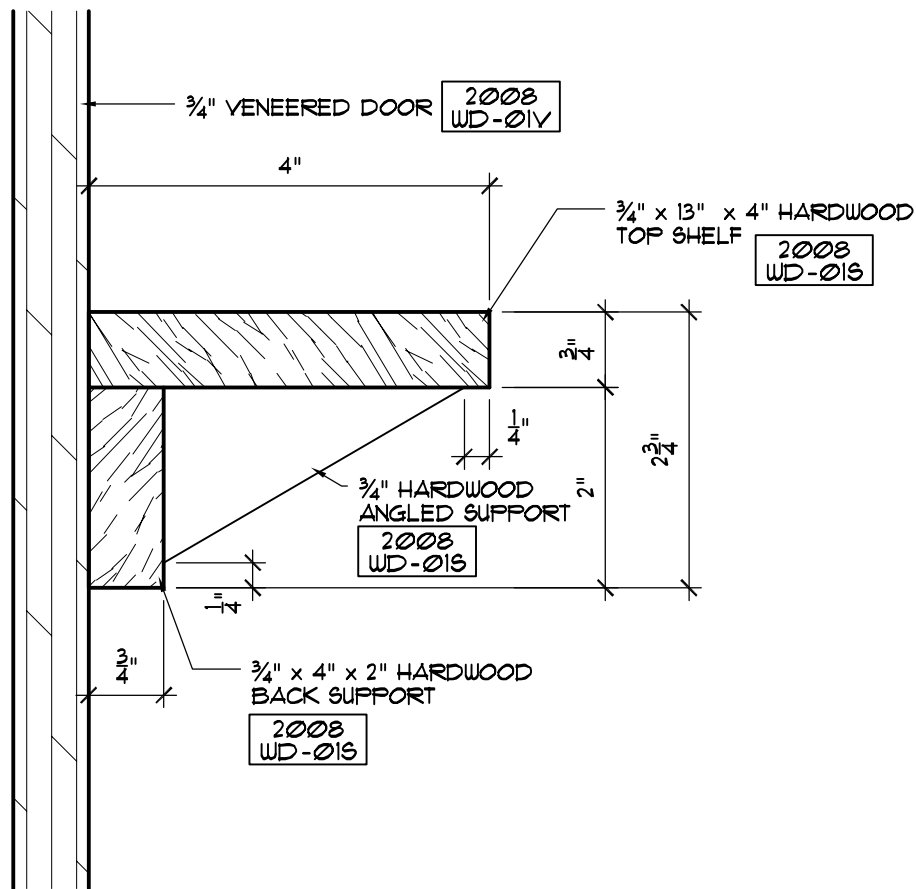
1 SECTION
 2.05 ARCH'T. REF: ??? 1/2" = 1'-0"

SHEET NO. 2.05	DWG. NO. 2	DATE	CHECKED BY	DRAWN BY	JOB NO. 2008	PROJECT LOST MARSH CLUBHOUSE Hammond, IN DRAWING TITLE MISC. DISPLAY UNITS
REV1 00-00-00	REV2 00-00-00	REV3 00-00-00				

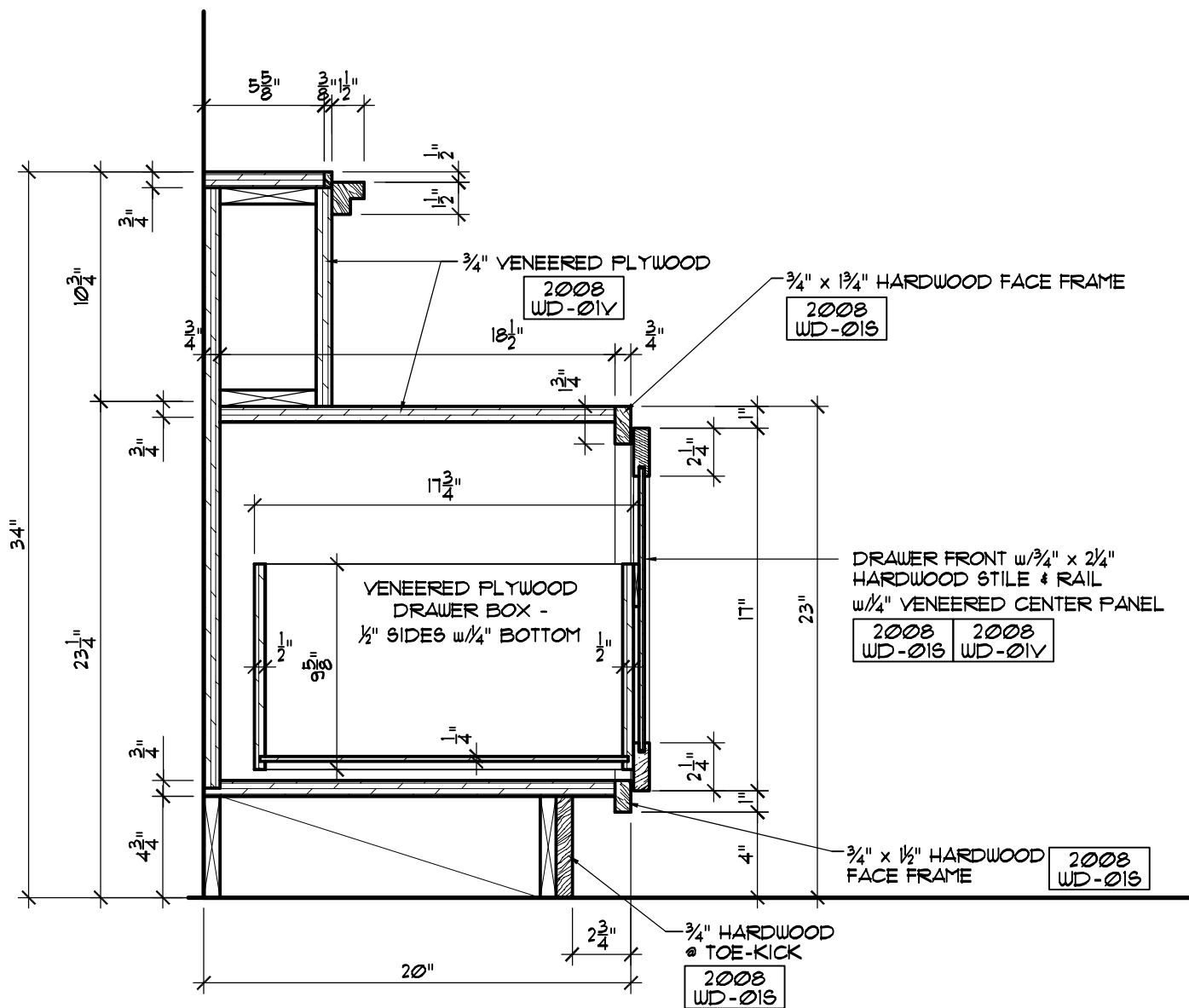


1 SECTION
2.06 ARCH'T. REF: ??? 1 1/2" = 1'-0"

SHEET NO. 2.06	DWG. NO. 2	REV 1 00-00-00	REV 2 00-00-00	REV 3 00-00-00	CHECKED BY	DATE	DRAWN BY	JOB NO. 2008	PROJECT	MISC. DISPLAY UNITS
									LOST MARSH CLUBHOUSE Hammond, IN	

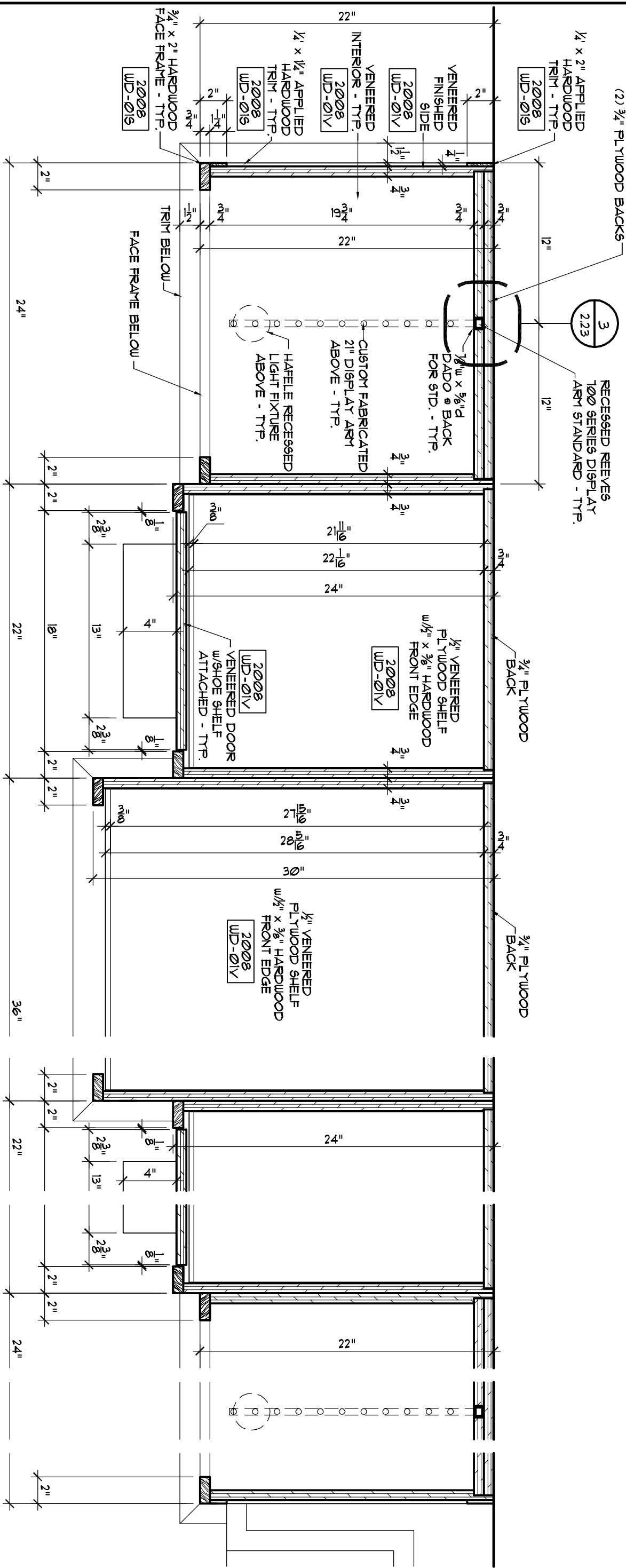


1 SHOE SHELF DETAIL
 2.07 ARCH'T. REF: ??? 6" = 1'-0"



2 SECTION
 2.07 ARCH'T. REF: ??? 1 1/2" = 1'-0"

SHEET NO. 2.07	DWG. NO. 2	DATE	CHECKED BY	DRAWN BY 2008	PROJECT LOST MARSH CLUBHOUSE Hammond, IN
					DRAWING TITLE MISC. DISPLAY UNITS
REV1 00-00-00	REV2 00-00-00	REV3 00-00-00			



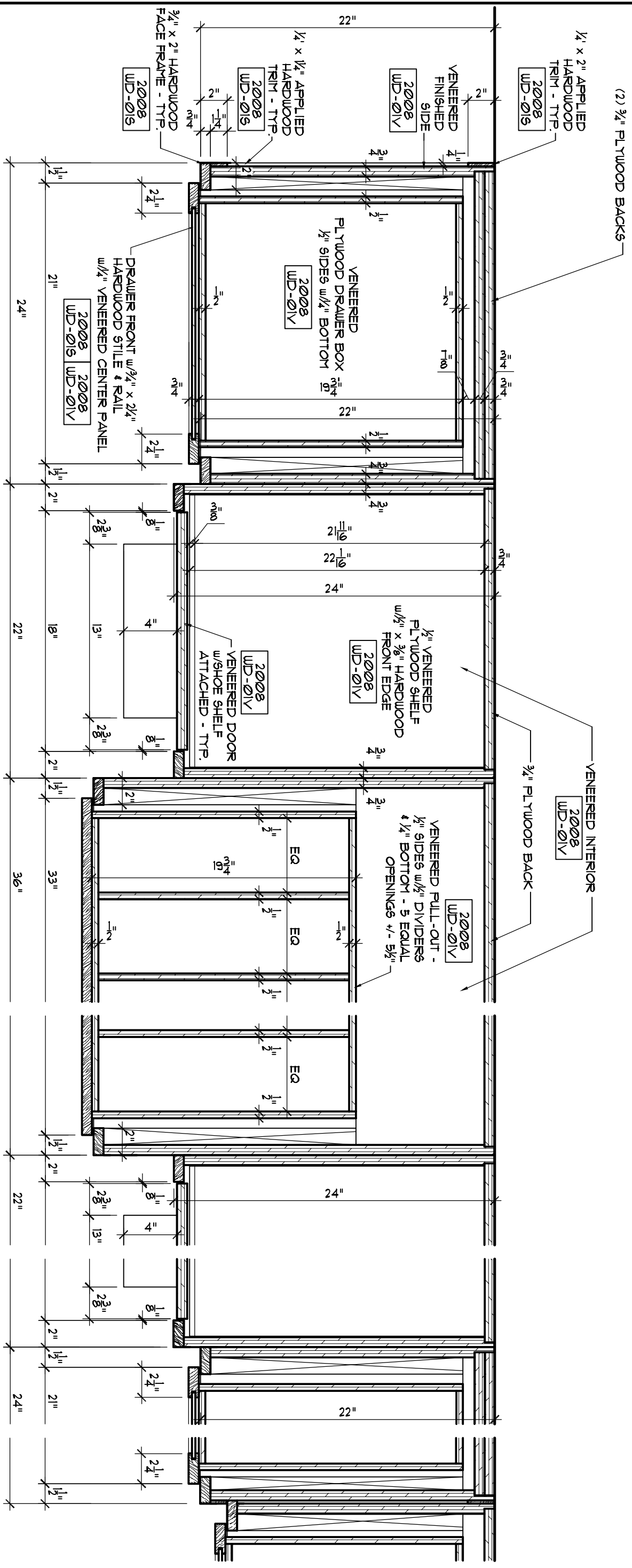
SECTION 1

2.08 ARCH'T. REF: ???

3" = 1'-0"

PROJECT	LOST MARSH CLUBHOUSE Hammond, IN
DRAWING TITLE	MISC. DISPLAY UNITS
JOB NO.	2008
DRAWN BY	
CHECKED BY	
DATE	
REV 1	00-00-00
REV 2	00-00-00
REV 3	00-00-00

DWG. NO.	2
SHEET NO.	2.08



SECTION

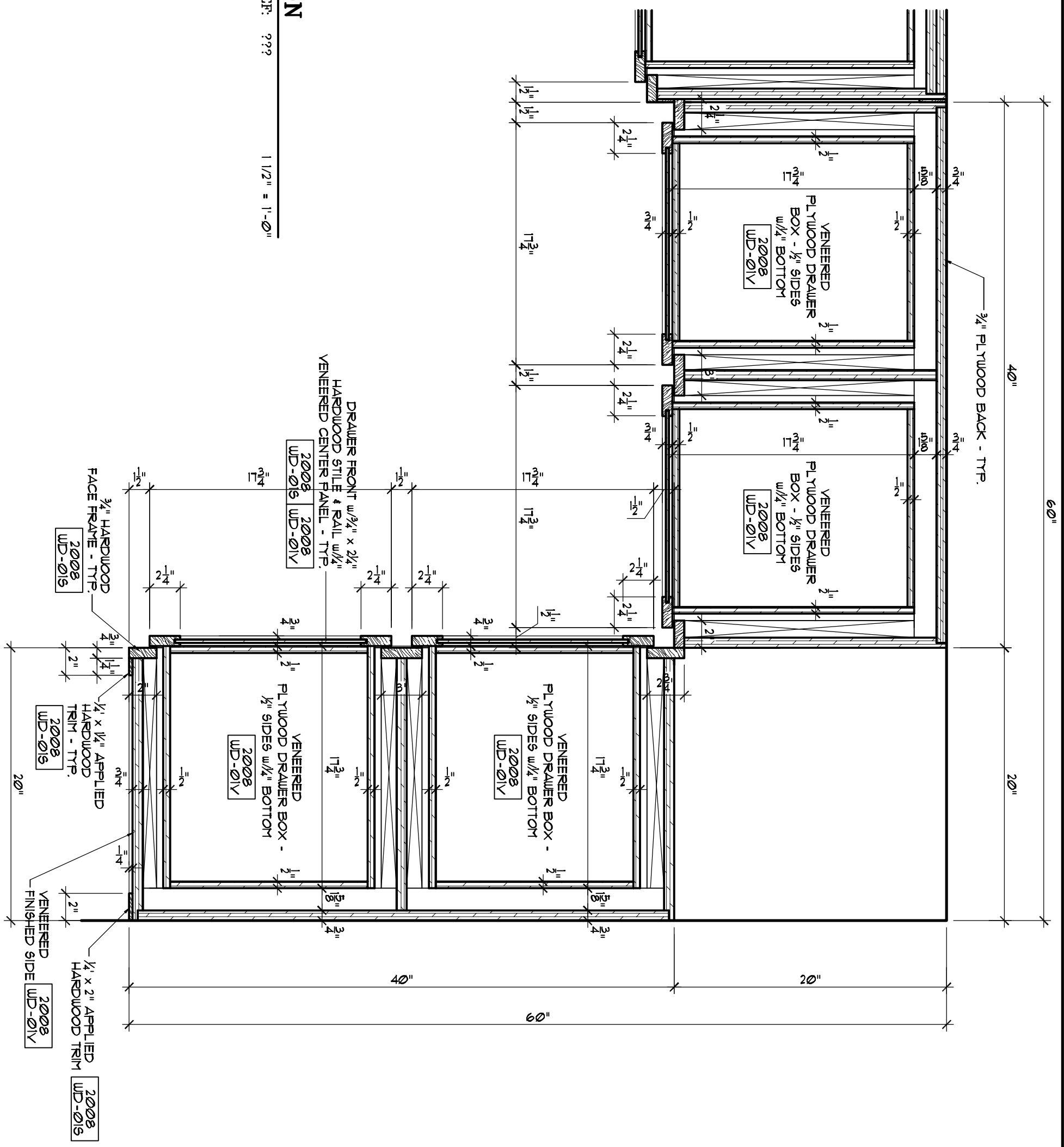
2.09 ARCH'T. REF: ???

3" = 1'-0"

PROJECT	LOST MARSH CLUBHOUSE Hammond, IN
DRAWING TITLE	MISC. DISPLAY UNITS
JOB NO.	2008
DRAWN BY	
CHECKED BY	
DATE	

REV 1	00-00-00
REV 2	00-00-00
REV 3	00-00-00

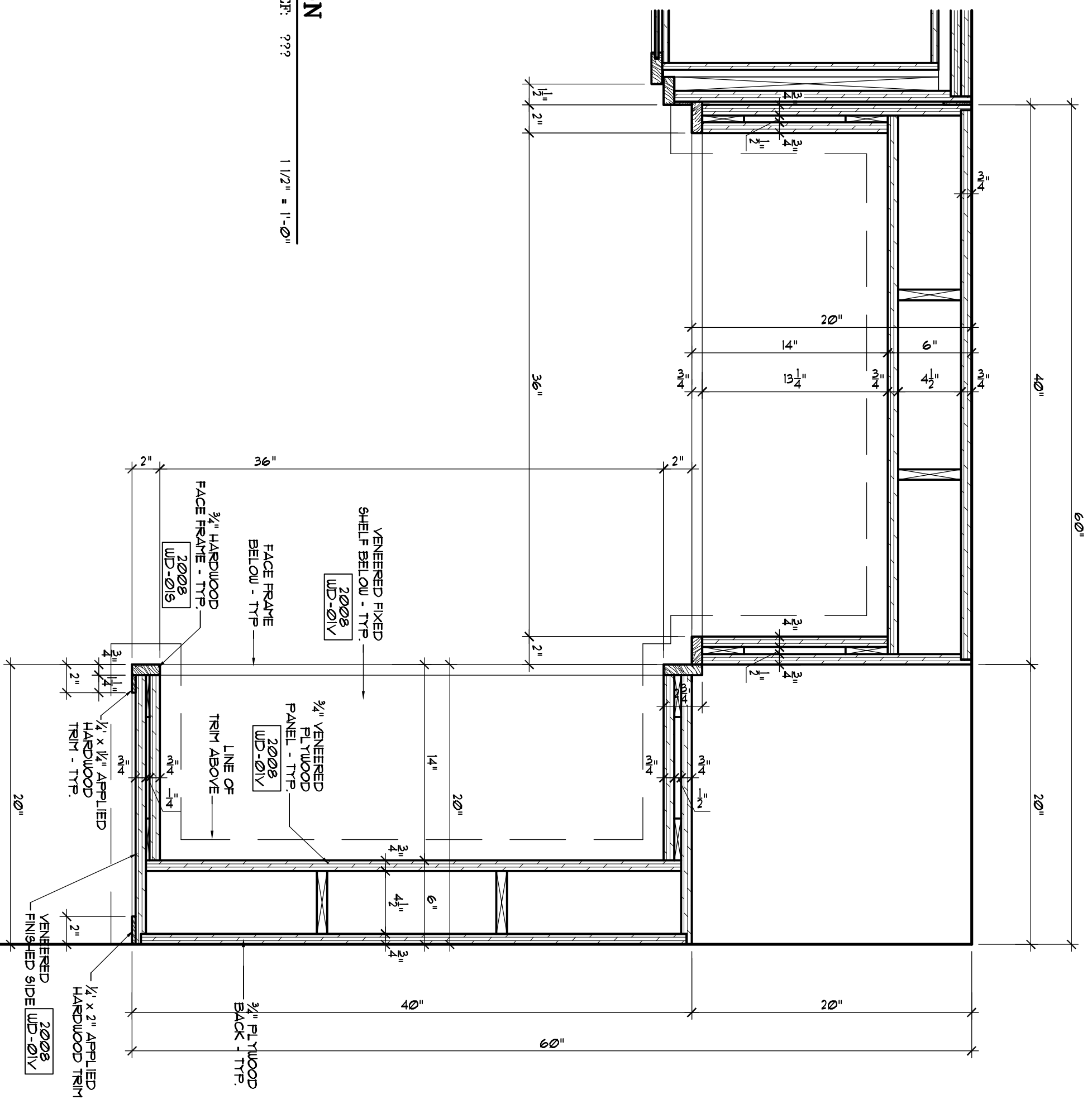
DWG. NO.	2
SHEET NO.	2.09



1 SECTION
 ARCH'T. REF: ??? 1 1/2" = 1'-0"

PROJECT LOST MARSH CLUBHOUSE Hammond, IN	
DRAWING TITLE MISC. DISPLAY UNITS	
JOB NO. 2008	
DRAWN BY	
CHECKED BY	
DATE	
REV1 00-00-00	
REV2 00-00-00	
REV3 00-00-00	
DWG. NO. 2	
SHEET NO. 2.10	

1 SECTION
 ARCH'T. REF: ???
 1 1/2" = 1'-0"



PROJECT LOST MARSH CLUBHOUSE Hammond, IN		JOB NO. 2008	
DRAWING TITLE MISC. DISPLAY UNITS		DRAWN BY 2008	
CHECKED BY		DATE	
REV1 00-00-00		REV2 00-00-00	
REV3 00-00-00		SHEET NO. 2	
DWG. NO.		SHEET NO. 2.11	