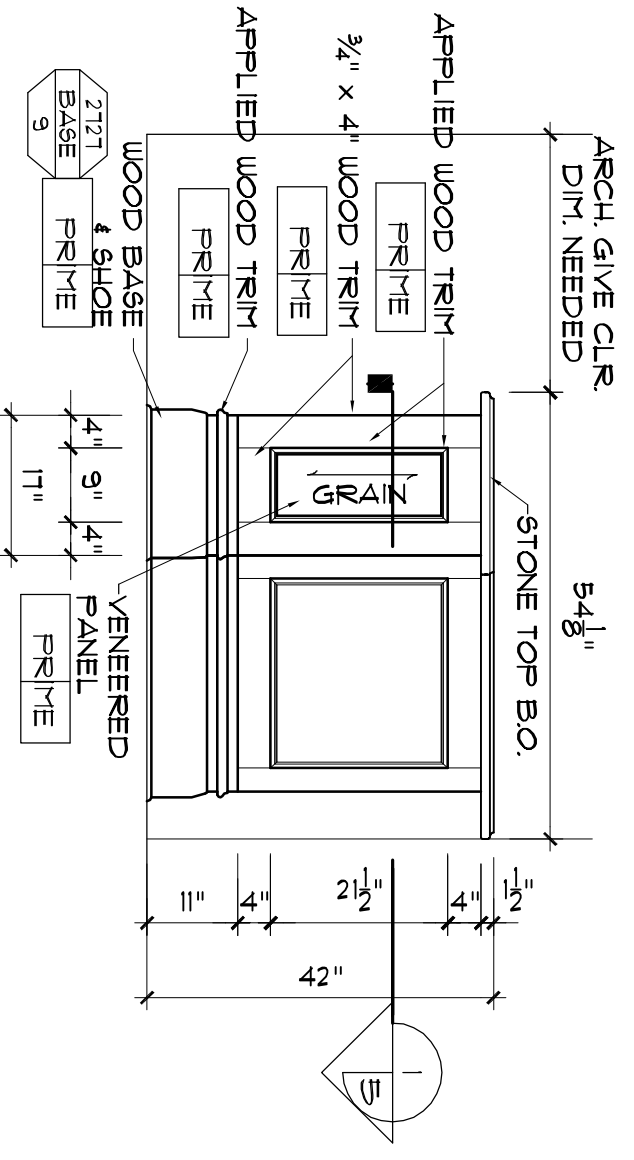
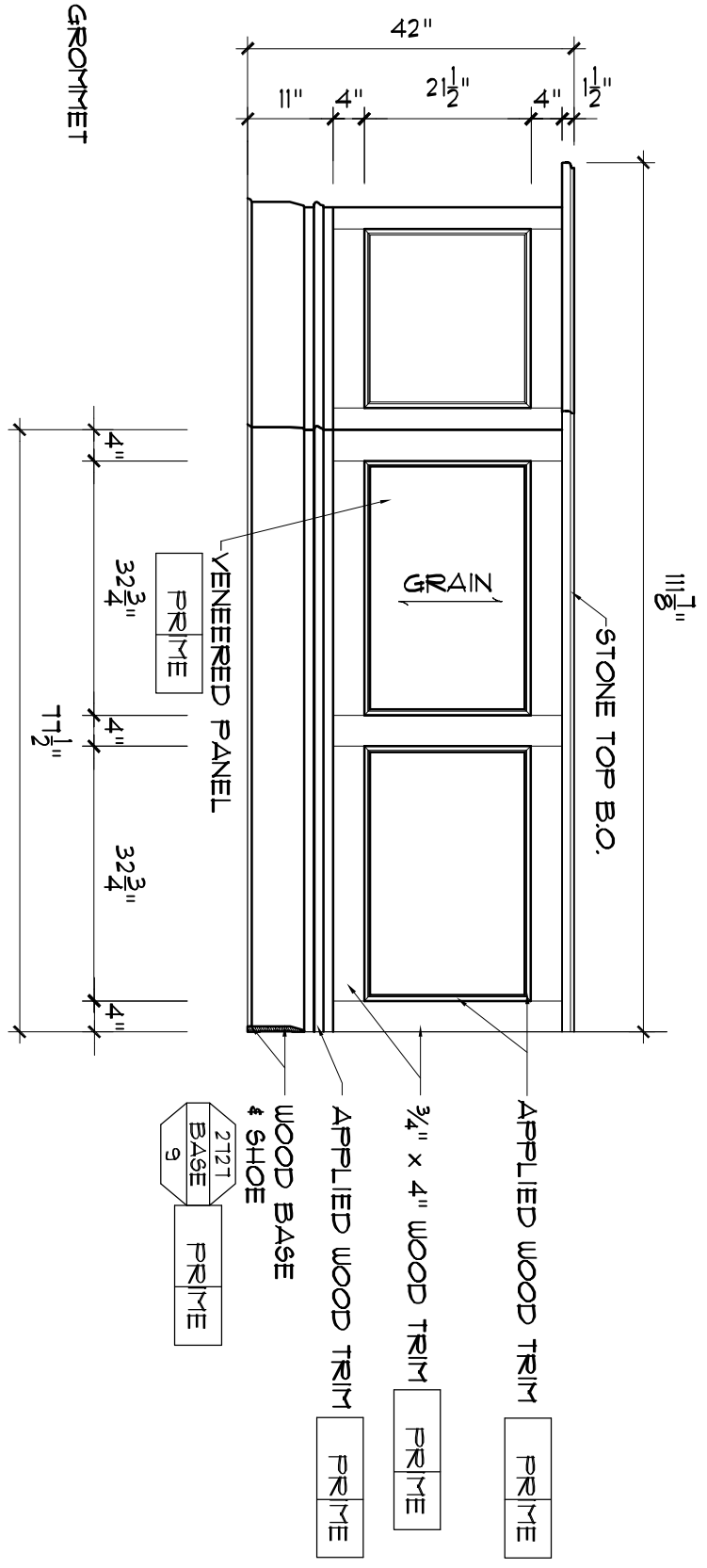


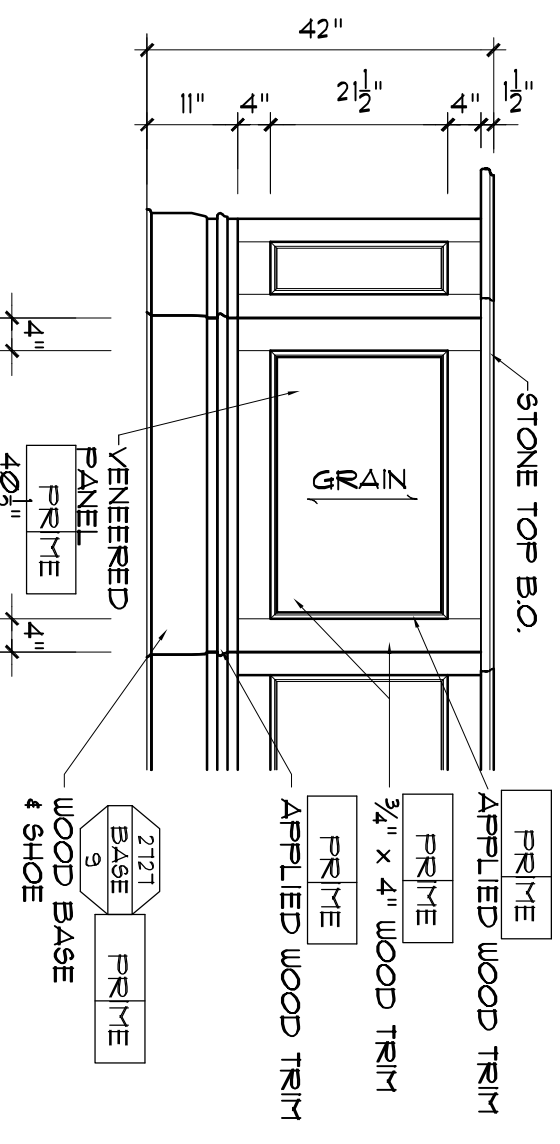
1 PLAN VIEW - GIFTING #5124  
SCALE: 1/2"=1'-0"



2 ELEVATION - GIFTING #5124  
SCALE: 1/2"=1'-0"



4 ELEVATION - GIFTING #5124  
SCALE: 1/2"=1'-0"



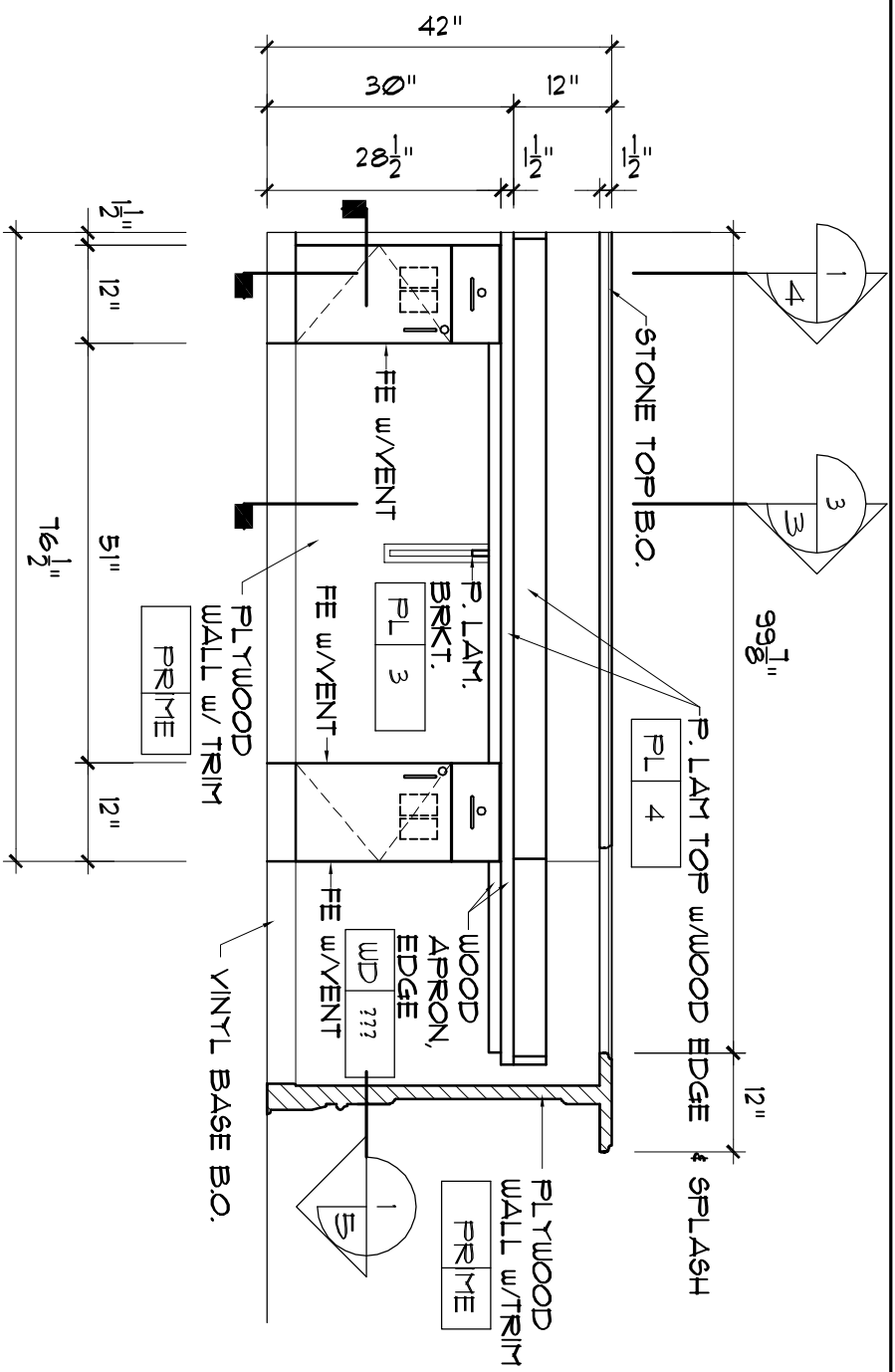
3 ELEVATION - GIFTING #5124  
SCALE: 1/2"=1'-0"

PROJECT: **HILTON GR. VAC.**  
 LOCATION: Orlando, Florida  
 DRAWING TITLE: GIFTING #5124

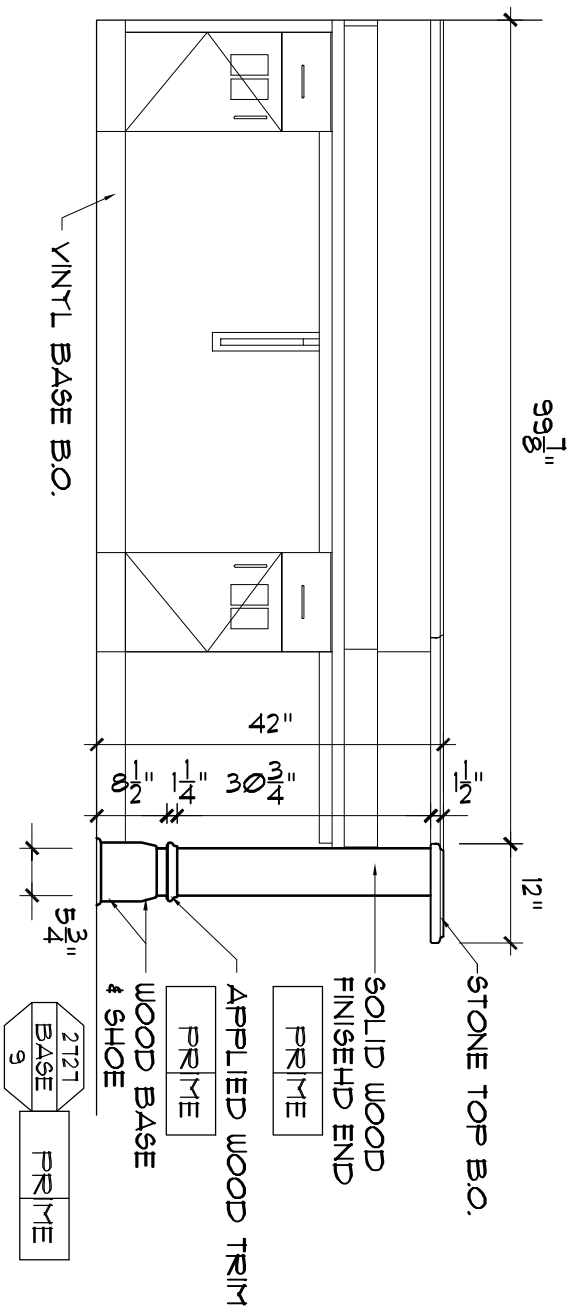
DRAWN BY: NB  
 CHECKED BY: NB  
 DATE: 02/04/2008

JOB NO.: 2727  
 DRAWING NO.: 29

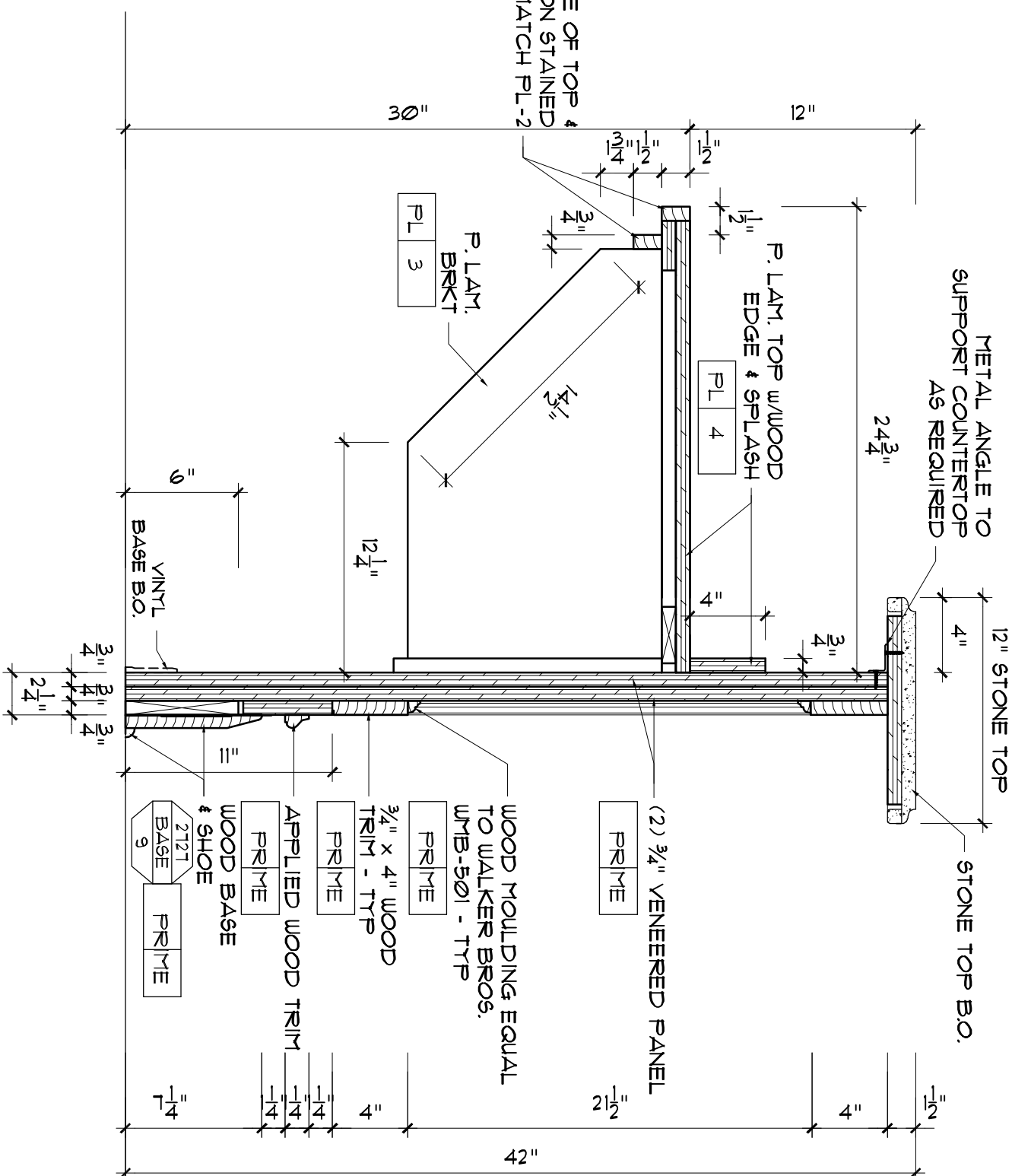
SHEET NO.: 2 OF 5



1 ELEVATION - GIFTING #5124  
SCALE: 1/2"=1'-0"

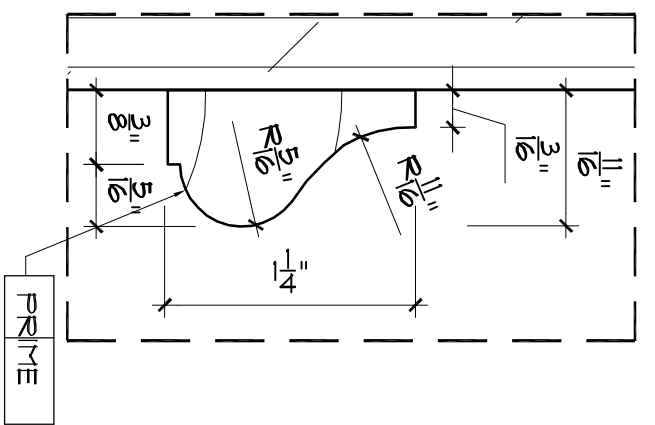
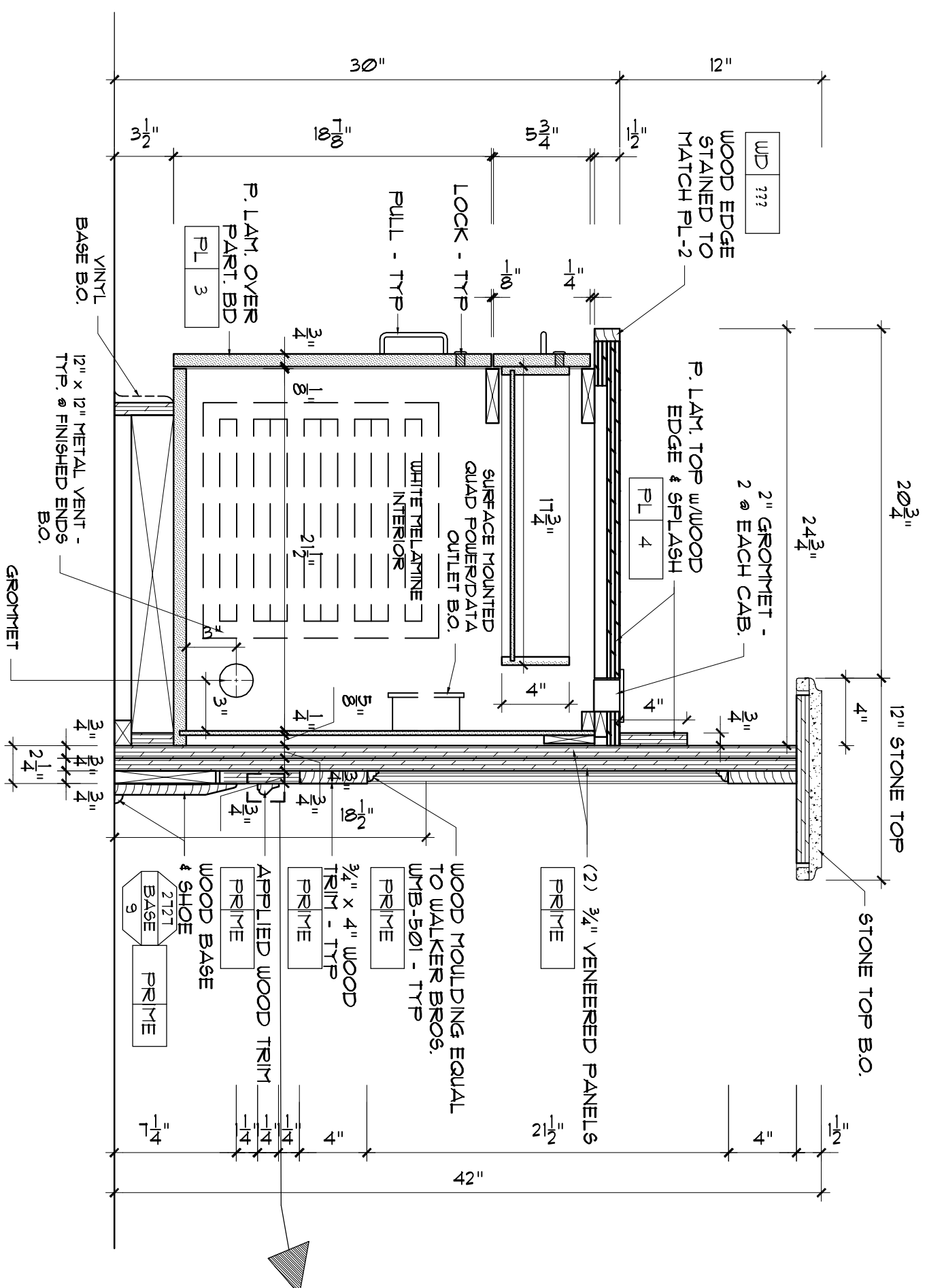


2 ELEVATION - GIFTING #5124  
SCALE: 1/2"=1'-0"



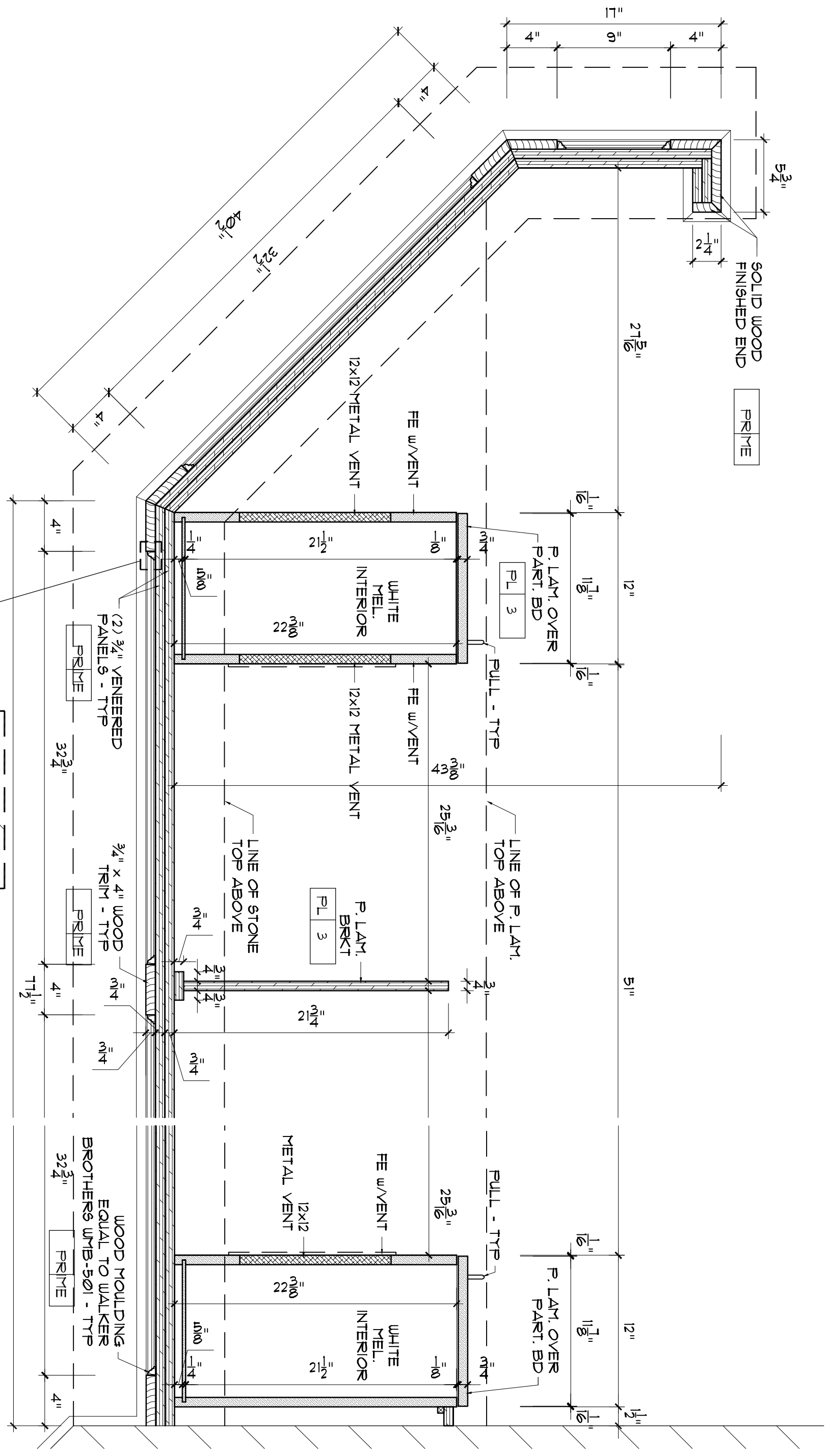
3 SECTION - GIFTING #5124  
SCALE: 1/2"=1'-0"

PROJECT: <b>HILTON GR. VAC.</b>	
LOCATION: Orlando, Florida	
DRAWING TITLE: <b>GIFTING #5124</b>	
DRAWN BY: NB	CHECKED BY: NB
DATE: 02/04/2008	
JOB NO.: 2727	
DRAWING NO.: <b>29</b>	
SHEET NO.: 3 OF 5	

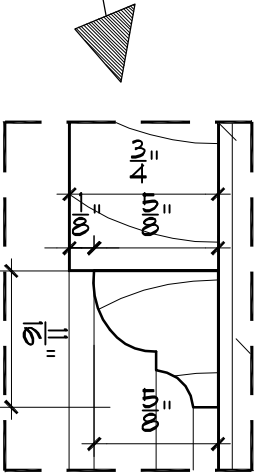


SECTION - GIFTING #5124  
 SCALE: 1/12"=1'-0"

PROJECT: <b>HILTON GR. VAC.</b>	
LOCATION: Orlando, Florida	
DRAWING TITLE: <b>GIFTING #5124</b>	
DRAWN BY: NB	CHECKED BY:
DATE: 02/04/2008	
JOB NO.: 2727	
DRAWING NO.: <b>29</b>	
SHEET NO.: 4 OF 5	



**SECTION - GIFTING #5124**  
SCALE: 1/2"=1'-0"



PROJECT:	<b>HILTON GR. VAC.</b> Orlando, Florida				
LOCATION:					
DRAWING TITLE:	GIFTING #5124				
DRAWN BY:	NB				
CHECKED BY:					
DATE:	02/04/2008				
JOB NO.:	2727				
DRAWING NO.:	29				
SHEET NO.:	5 OF 5				