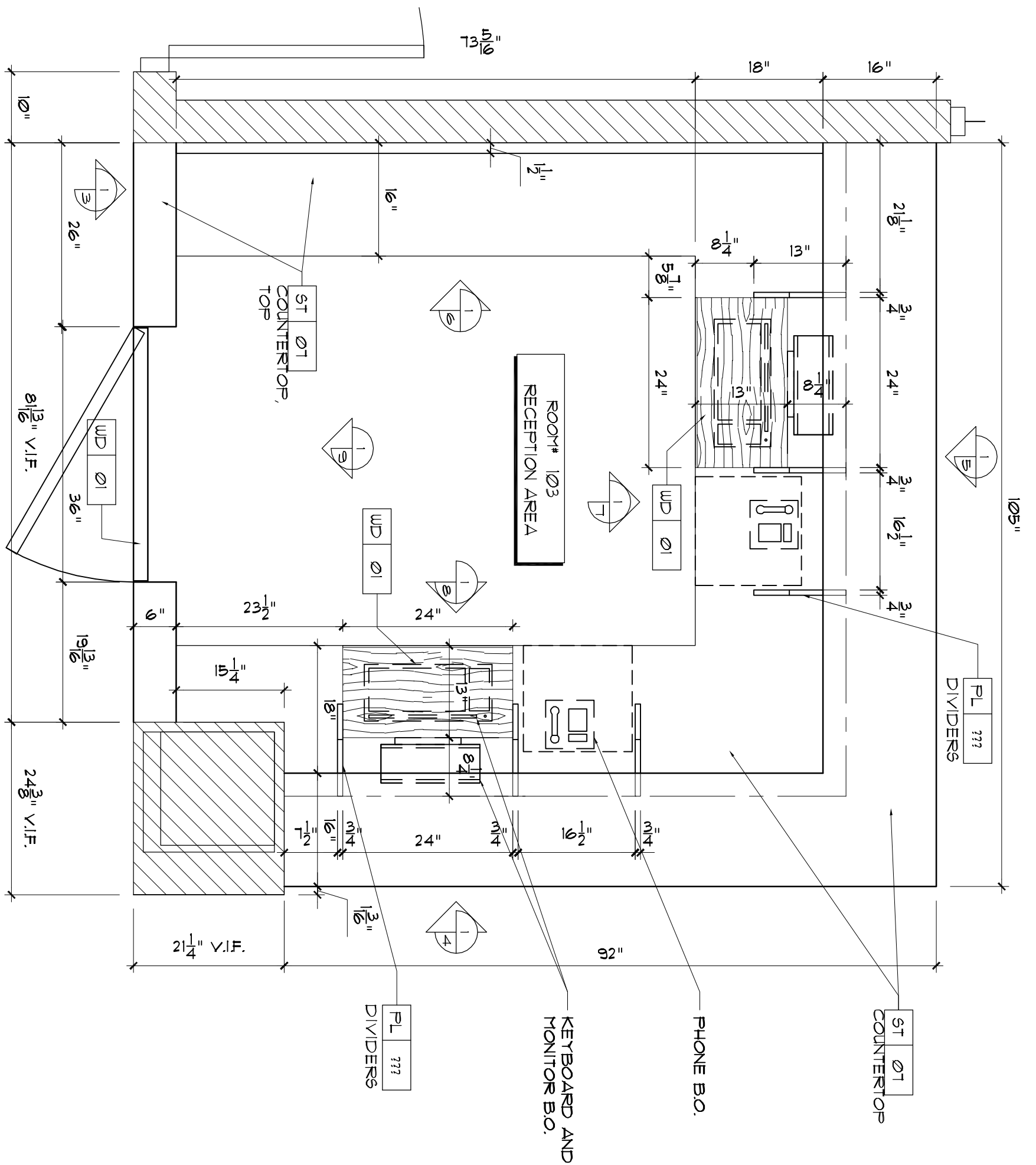




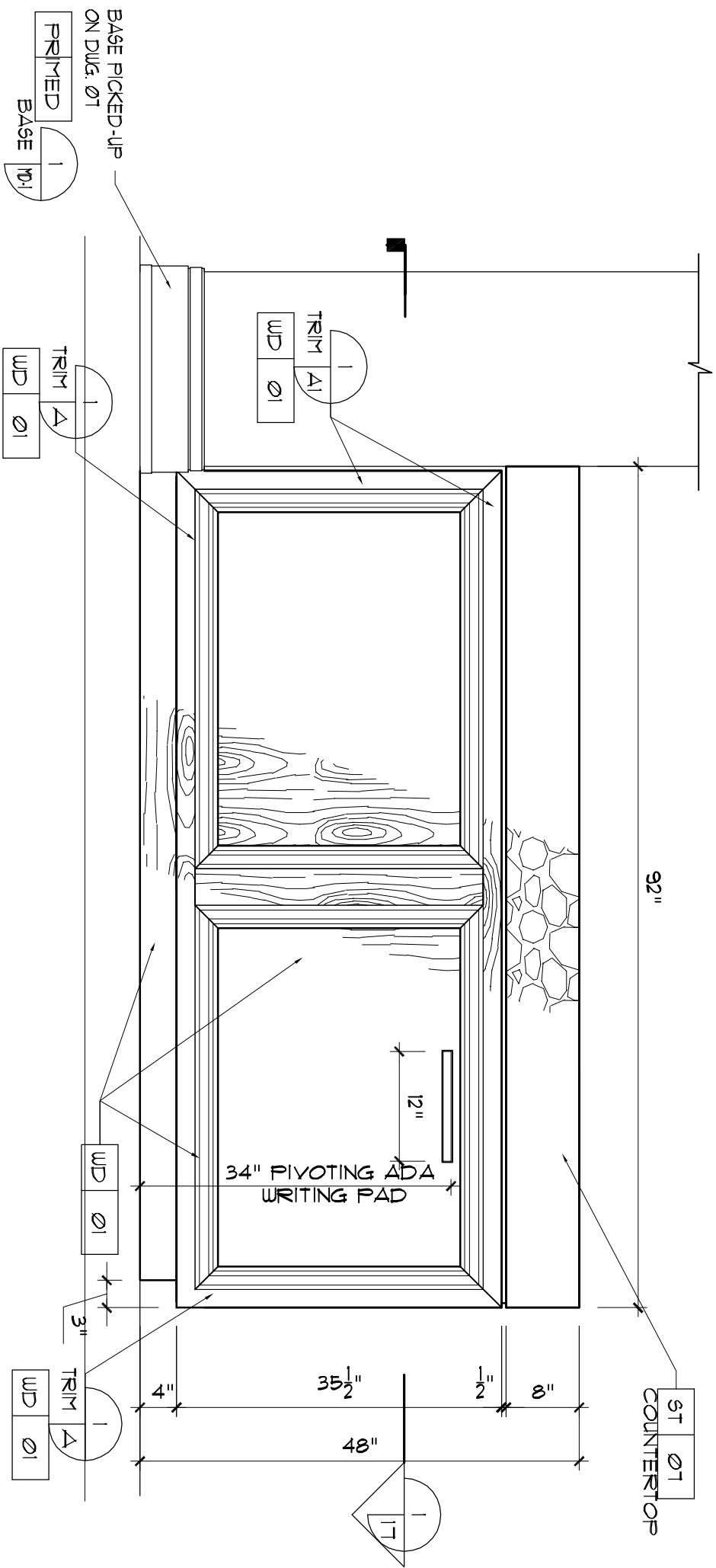
ARCHITECT PLEASE  
 PROVIDE EQUIPMENT CUT  
 SHEETS



1 PLAN: #03 RECEPTION AREA  
 2 SCALE: 3/4" = 1'0"

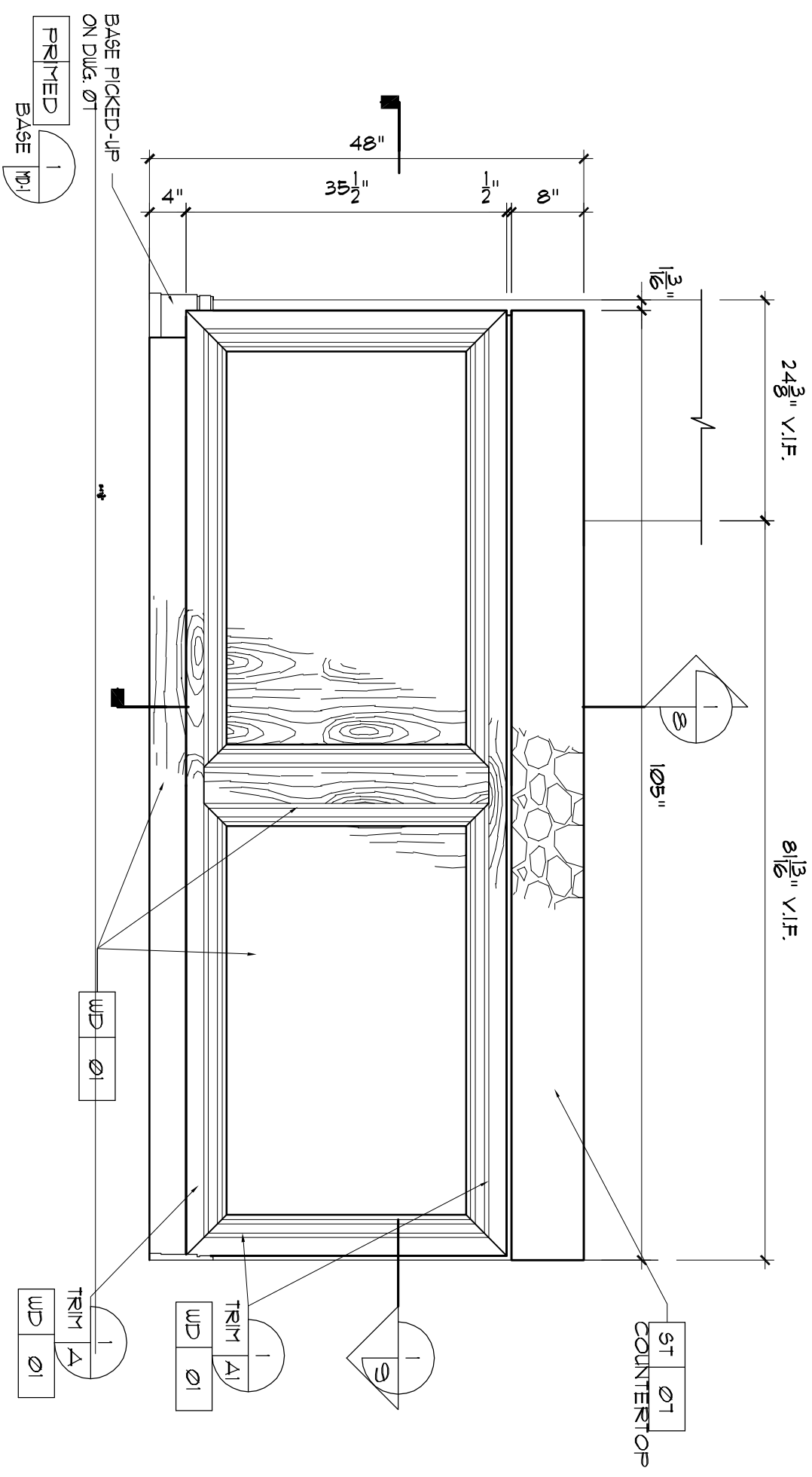
PROJECT: <b>DON CESAR SPA</b>	LOCATION: St. Petersburg, Florida
DRAWING TITLE: RECEPTION DESK RM. 103	
DRAWN BY: NB	CHECKED BY:
DATE: 09/05/07	
JOB NO. 2712	
DRAWING NO. <b>41</b>	
SHEET NO. 2 OF 17	





ELEVATION: #03 RECEPTION DESK  
 SCALE: 3/4"=1'-0"  
 4/4/11

PROJECT: <b>DON CESAR SPA</b>	LOCATION: St. Petersburg, Florida
	DRAWING TITLE: RECEPTION DESK RM. 103
DRAWN BY: NB	CHECKED BY:
DATE: 09/05/07	JOB NO.: 2712
DRAWING NO.:	<b>41</b>
SHEET NO.:	4 OF 17



3/4" = 1'-0" ELEVATION: #03 RECEPTION DESK

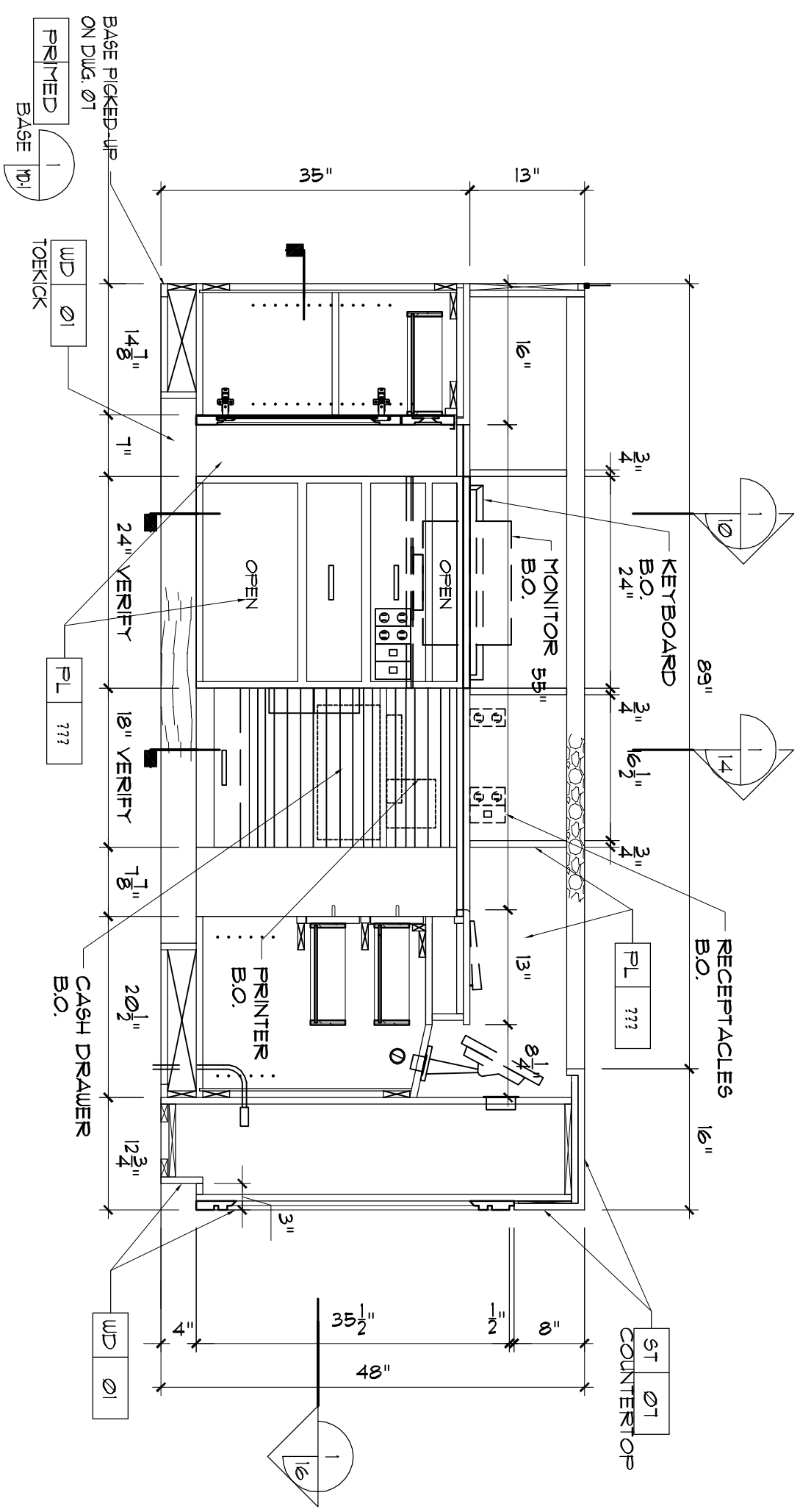
PROJECT: <b>DON CESAR SPA</b>	
LOCATION: St. Petersburg, Florida	
DRAWING TITLE: RECEPTION DESK RM. 103	
DRAWN BY: NB	CHECKED BY:
DATE: 09/05/07	
JOB NO.: 2712	
DRAWING NO.:	
SHEET NO.:	
5 OF 17	

41



ARCHITECT PLEASE PROVIDE EQUIPMENT CUT SHEETS

ARCHITECT PLEASE VERIFY ELEVATION, CONFLICT BETWEEN ELEVATION AND SECTION SEE 7/47.11 AND 1/47.12

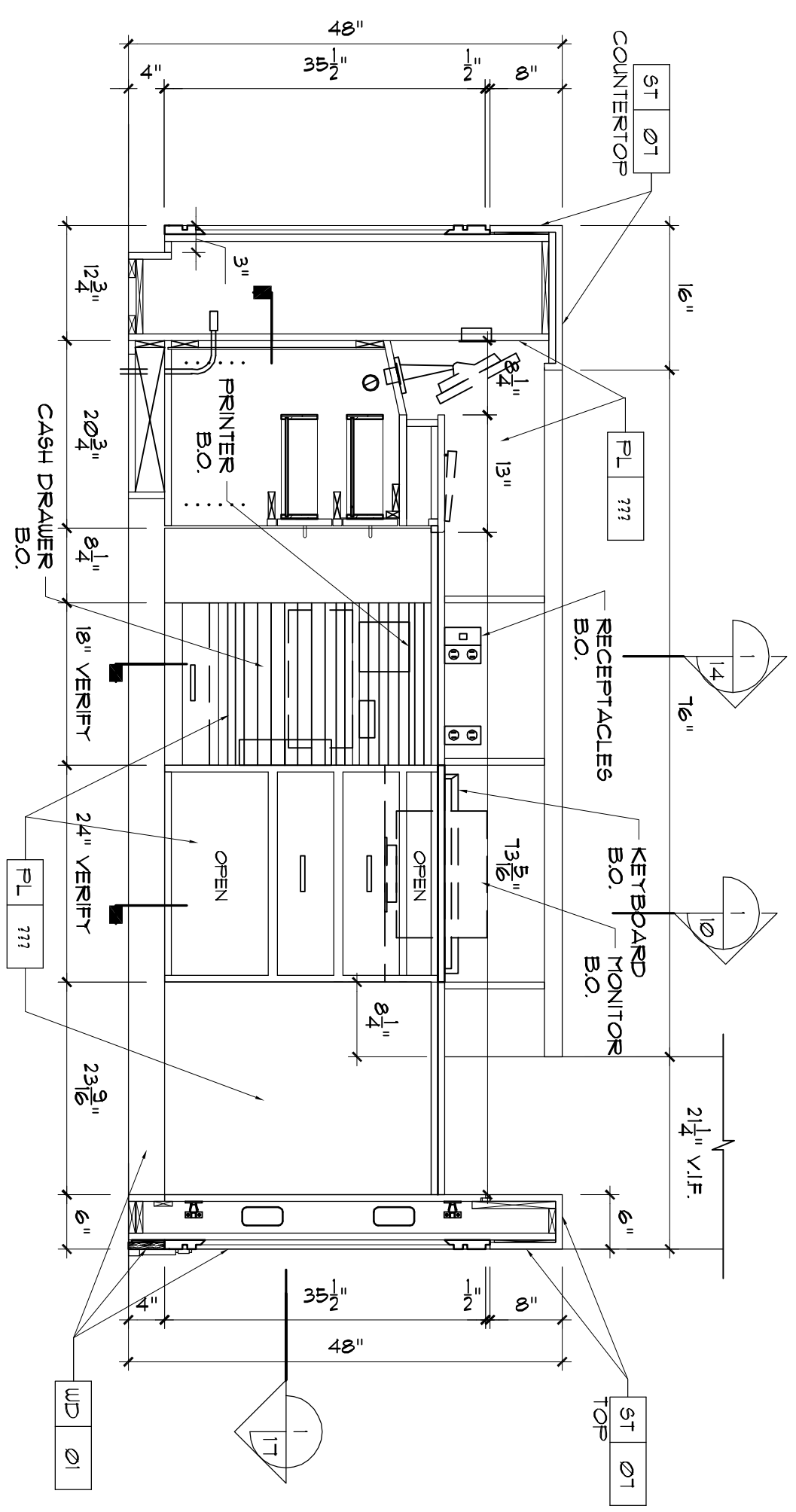


1 ELEVATION: #03 RECEPTION DESK  
SCALE: 3/4" = 1'-0"

PROJECT:	<b>DON CESAR SPA</b>
LOCATION:	St. Petersburg, Florida
DRAWING TITLE:	RECEPTION DESK RM. 103
DRAWN BY:	NB
CHECKED BY:	
DATE:	09/05/07
JOB NO.:	2712
DRAWING NO.:	41
SHEET NO.:	7 OF 17

ARCHITECT PLEASE PROVIDE EQUIPMENT CUT SHEETS

ARCHITECT PLEASE VERIFY ELEVATION, CONFLICT BETWEEN ELEVATION AND SECTION SEE 1/41.11 AND 1/41.12



1 ELEVATION: #03 RECEPTION DESK  
 8/41.11 3 SCALE: 3/4"=1'0"

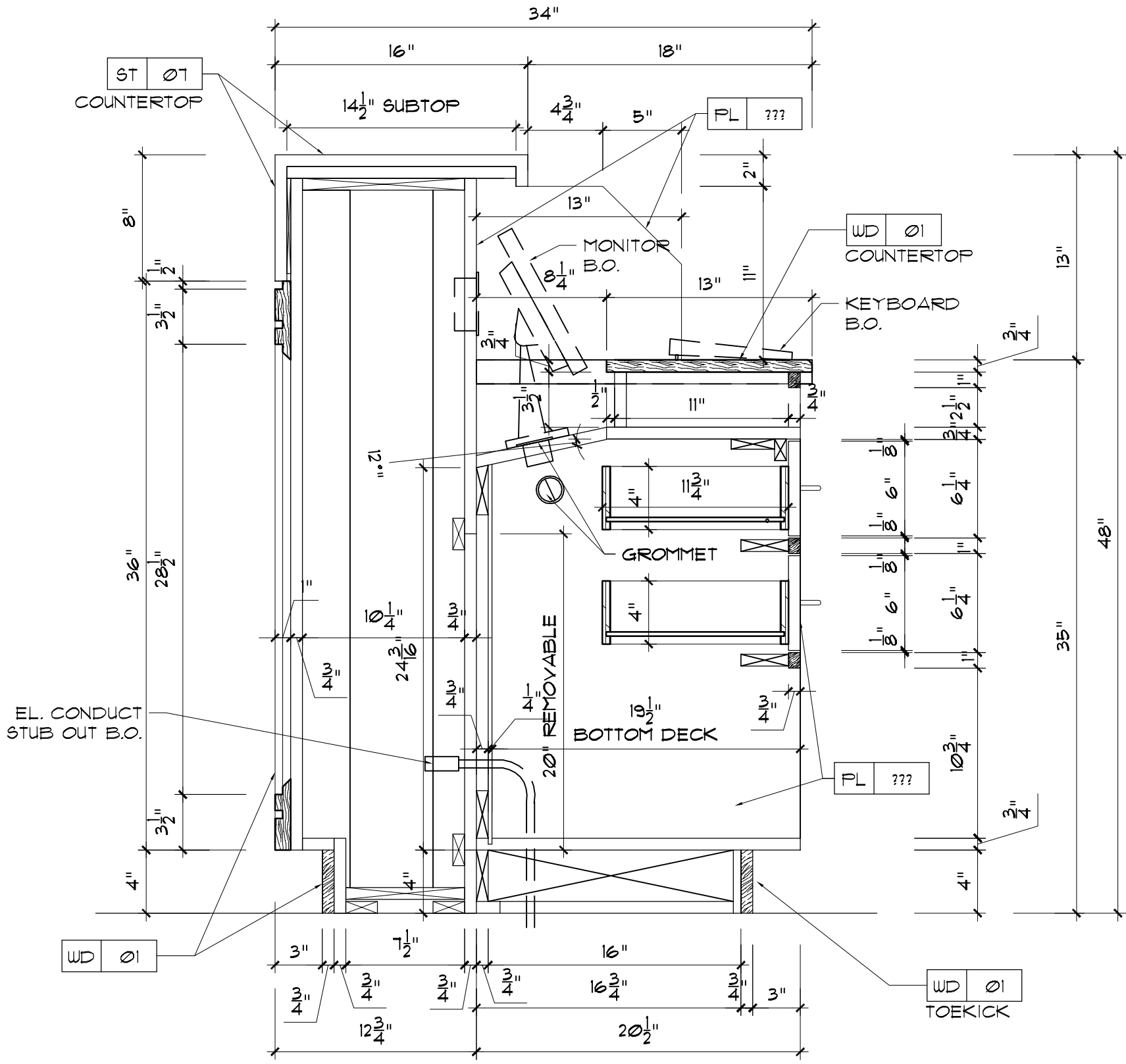
PROJECT: <b>DON CESAR SPA</b>	
LOCATION: St. Petersburg, Florida	
DRAWING TITLE: <b>RECEPTION DESK RM. 103</b>	
DRAWN BY: NB	CHECKED BY:
DATE: 09/05/07	
JOB NO.: 2712	
DRAWING NO.: <b>41</b>	
SHEET NO.: 8 OF 17	





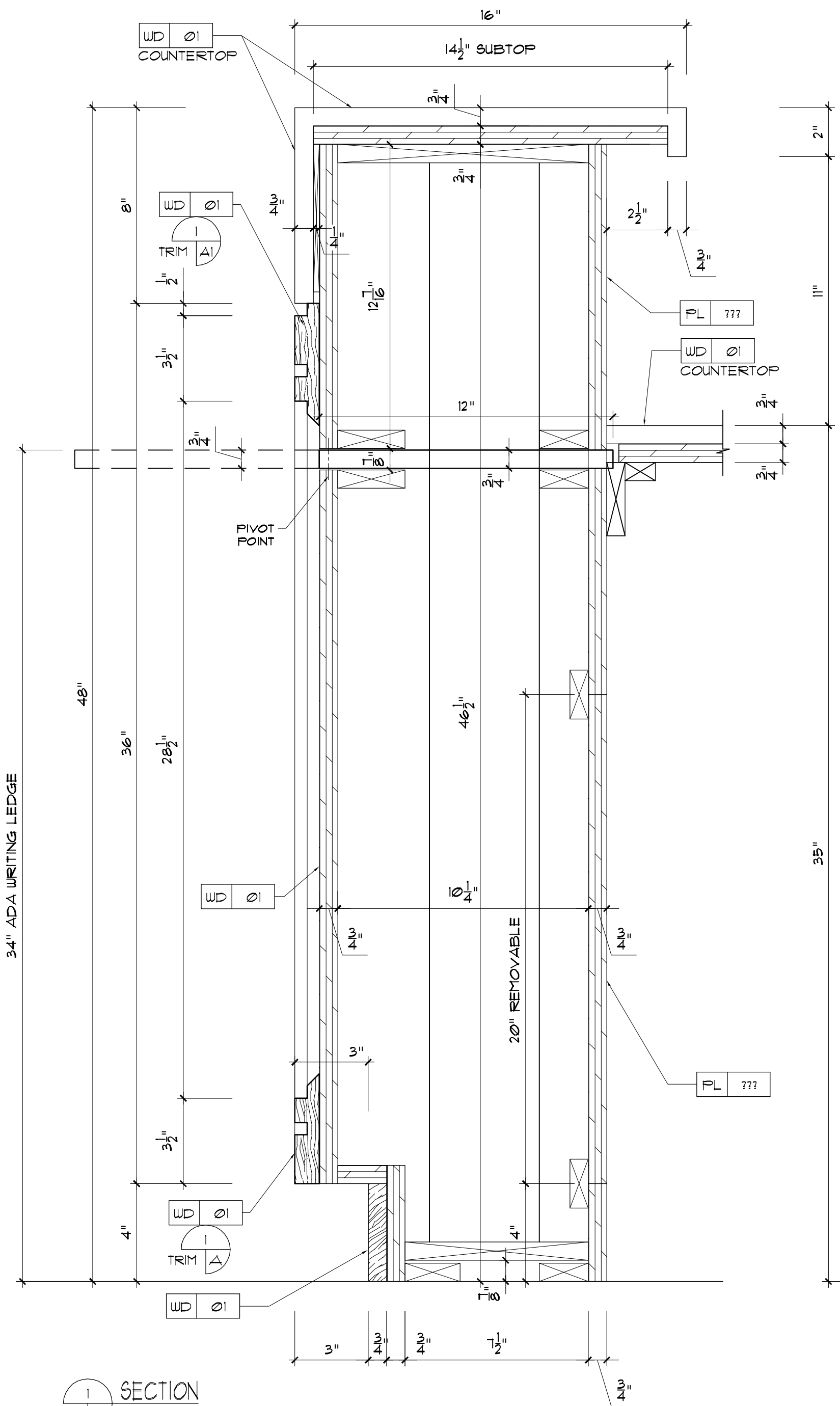
ARCHITECT PLEASE PROVIDE  
EQUIPMENT CUT SHEETS

NOTE: DRAWER BOTTOM FINISHED  
IN PLASTIC LAMINATE. DRAWER SIDE IN  
PLYWOOD VENEER W/FULL EXTENSION  
SLIDES



SECTION  
1/4 T. 1.2 | 10 SCALE: 1-1/2" = 1'0"

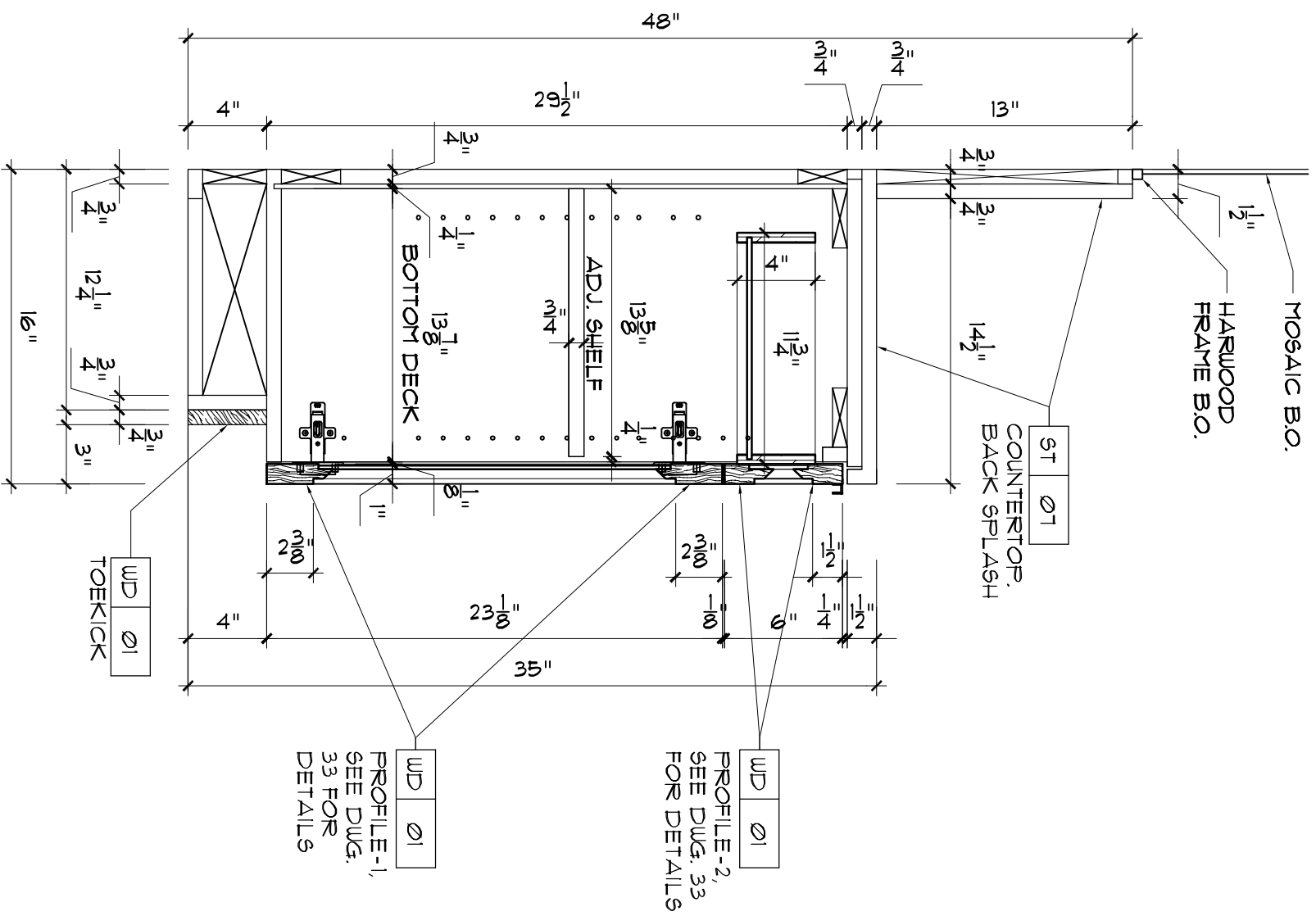
SHEET NO. 10 OF 17	DRAWING NO. 41	JOB NO. 2712	DATE 09/05/07	CHECKED BY NB	PROJECT: <b>DON CESAR SPA</b>
					LOCATION: St. Petersburg, Florida
DRAWN BY NB					DRAWING TITLE: RECEPTION DESK RM. 103



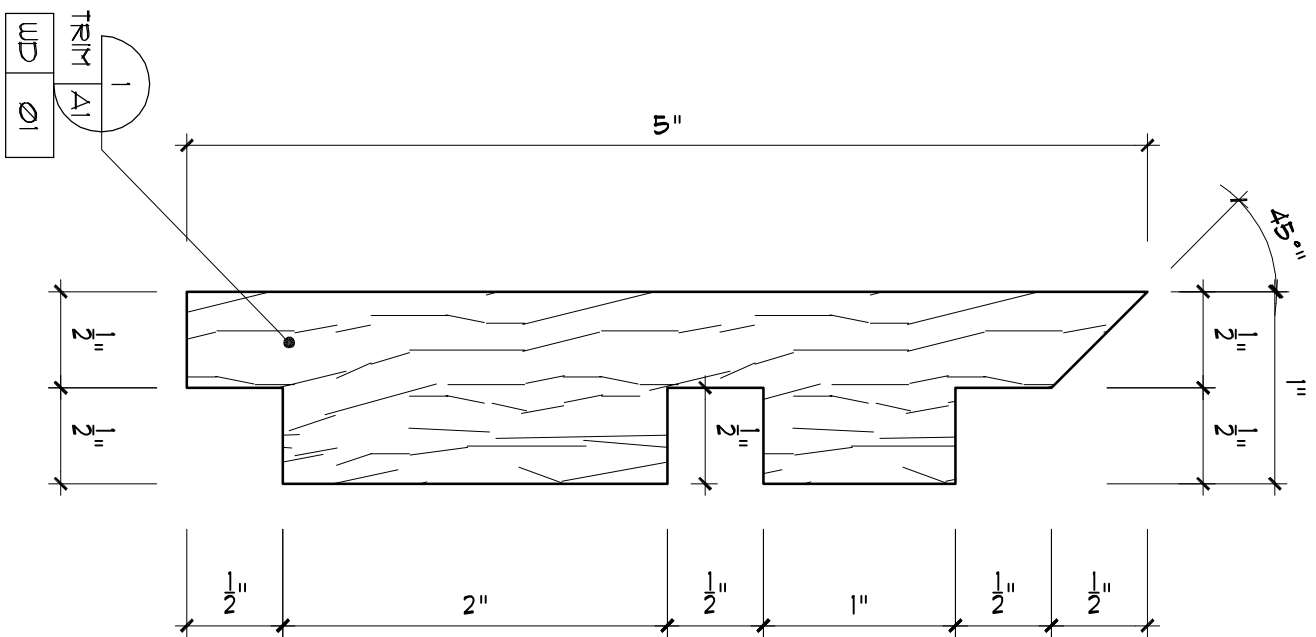
34" ADA WRITING LEDGE

SECTION 1  
1/47.12 11 SCALE: 3"=1'0"

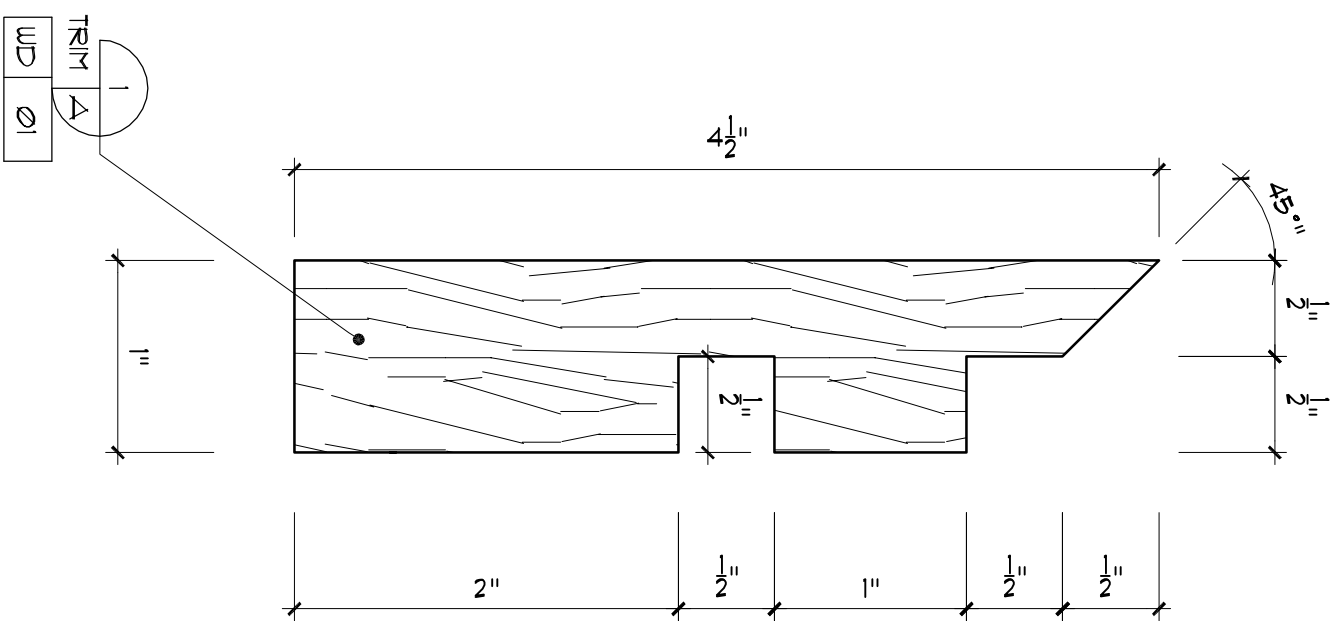
SHEET NO. 11 OF 17	DRAWING NO. 41	JOB NO. 2712	DATE 09/05/07	CHECKED BY NB	PROJECT: <b>DON CESAR SPA</b>
					LOCATION: St. Petersburg, Florida
DRAWN BY NB					DRAWING TITLE: RECEPTION DESK RM. 103



SECTION 1  
SCALE: 1/12"=1'-0"  
5/4/12 12

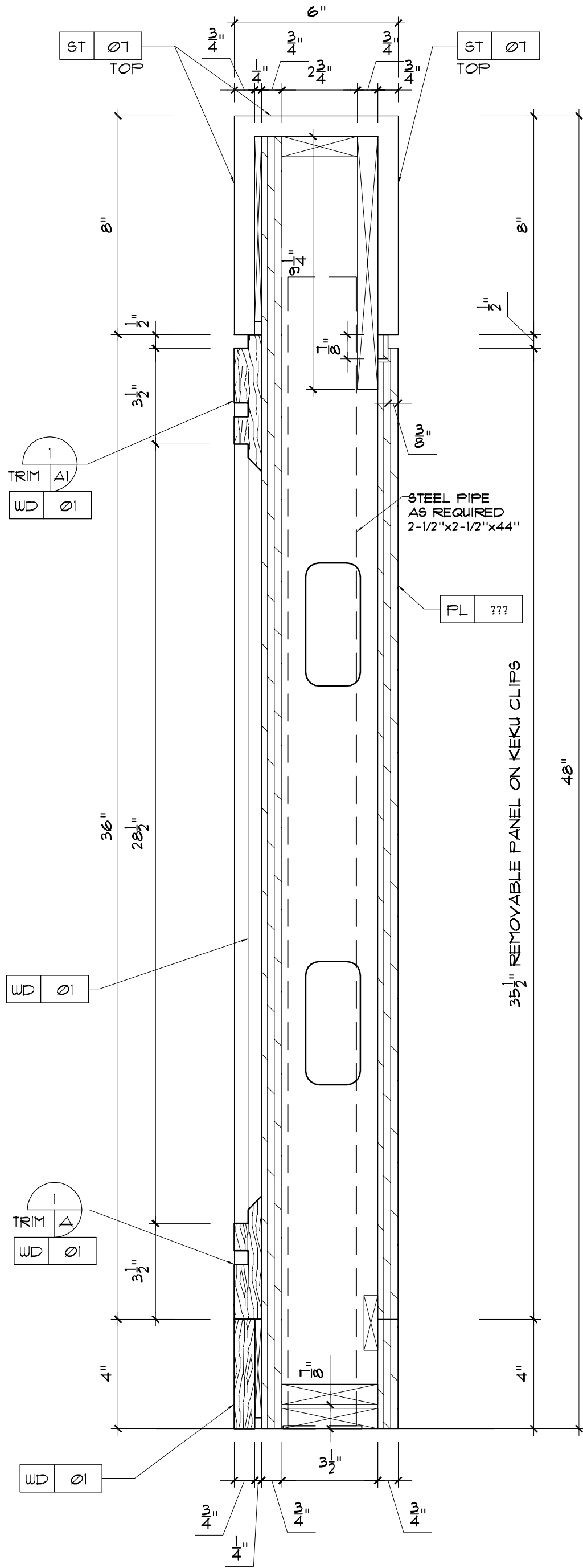


PROFILE-TYPE 'A' 2  
SCALE: "FULL"  
7/4/12 12



PROFILE-TYPE 'A' 3  
SCALE: "FULL"  
6/4/12 12

PROJECT: <b>DON CESAR SPA</b>	
LOCATION: St. Petersburg, Florida	
DRAWING TITLE: RECEPTION DESK RM. 103	
DRAWN BY: NB	CHECKED BY:
DATE: 09/05/07	
JOB NO.: 2712	
DRAWING NO.: 41	
SHEET NO.: 12 OF 17	

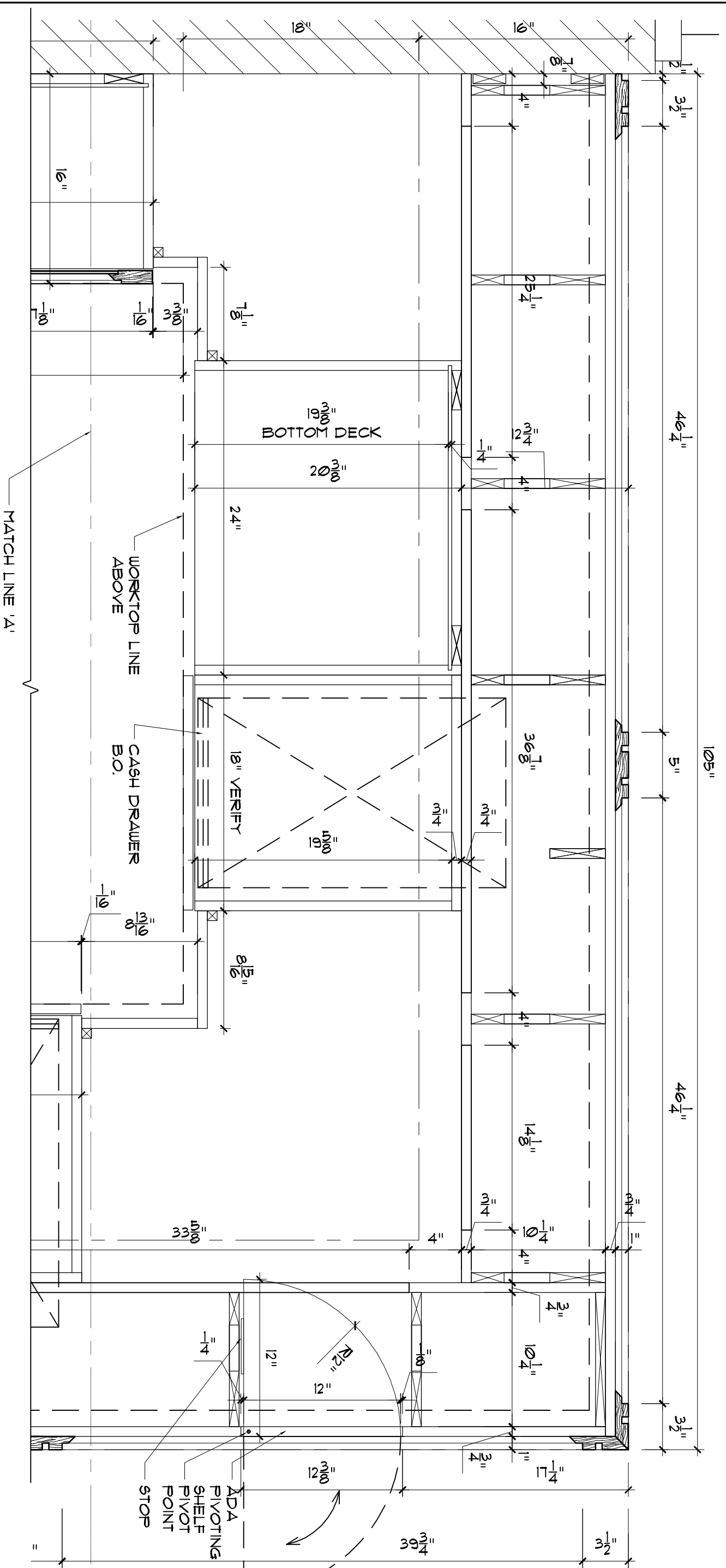


SECTION  
 4/47.12 13 SCALE: 3"=1'0"

SHEET NO. <b>41</b>	JOB NO. 2712	DRAWING NO.	DATE 09/05/07	CHECKED BY NB	DRAWN BY NB	PROJECT: <b>DON CESAR SPA</b>
						LOCATION: St. Petersburg, Florida
13 OF 17						DRAWING TITLE: RECEPTION DESK RM. 103





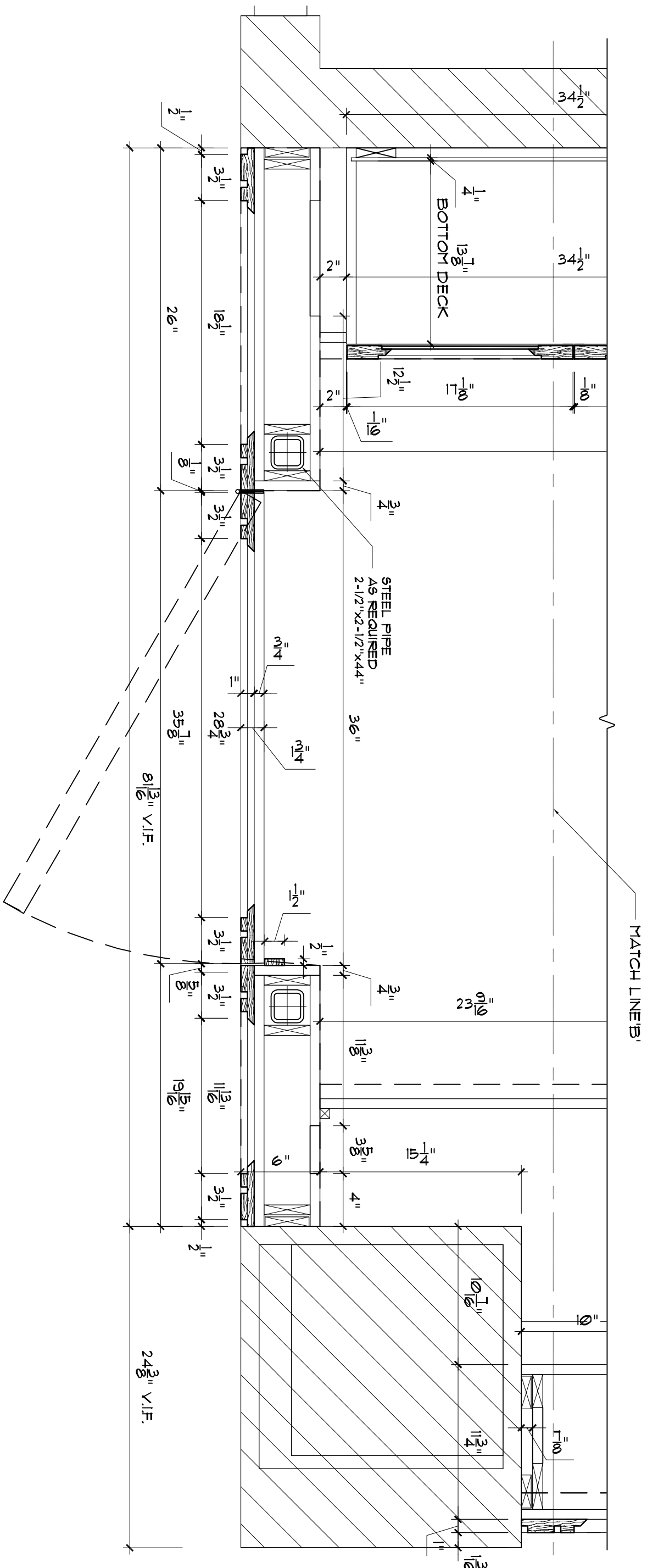


SECTION  
 SCALE: 1/12"=1'-0"  
 2/47.11 | 16

PROJECT: <b>DON CESAR SPA</b>	
LOCATION: St. Petersburg, Florida	
DRAWING TITLE: RECEPTION DESK RM. 103	
DRAWN BY: NB	CHECKED BY:
DATE: 09/05/07	
JOB NO. 2712	
DRAWING NO. <b>41</b>	
SHEET NO. 16 OF 16	







SECTION  
 2/47.11 17A  
 SCALE: 1/12" = 1'-0"

PROJECT: <b>DON CESAR SPA</b>	
LOCATION: St. Petersburg, Florida	
DRAWING TITLE: RECEPTION DESK RM. 103	
DRAWN BY: NB	CHECKED BY:
DATE: 09/05/07	
JOB NO. 2712	
DRAWING NO. <b>41</b>	
SHEET NO. 17A OF 17	