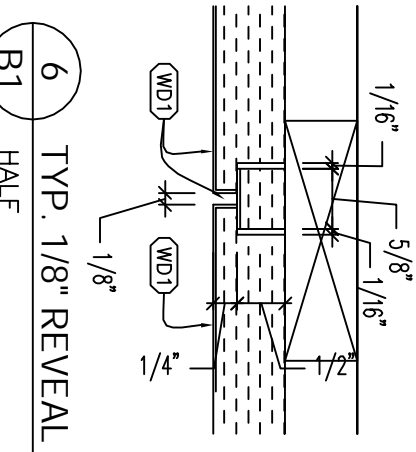
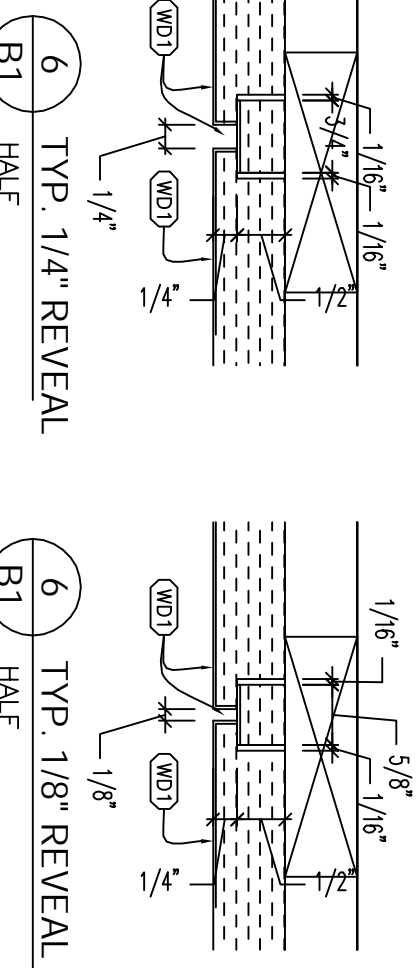
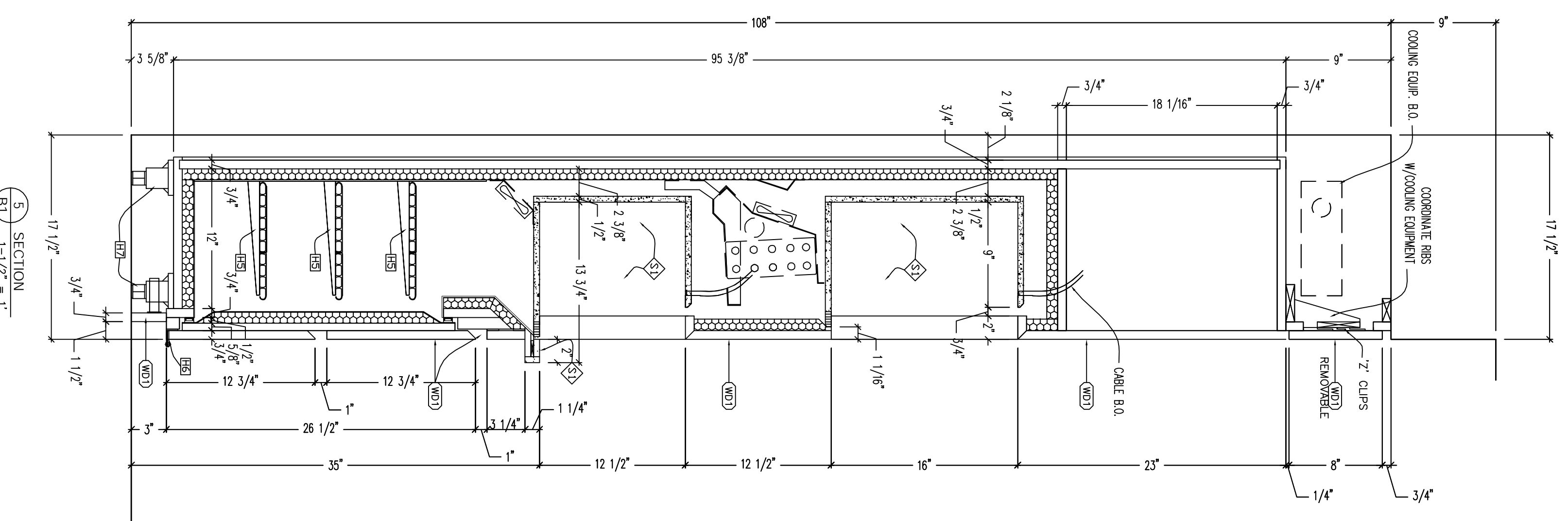
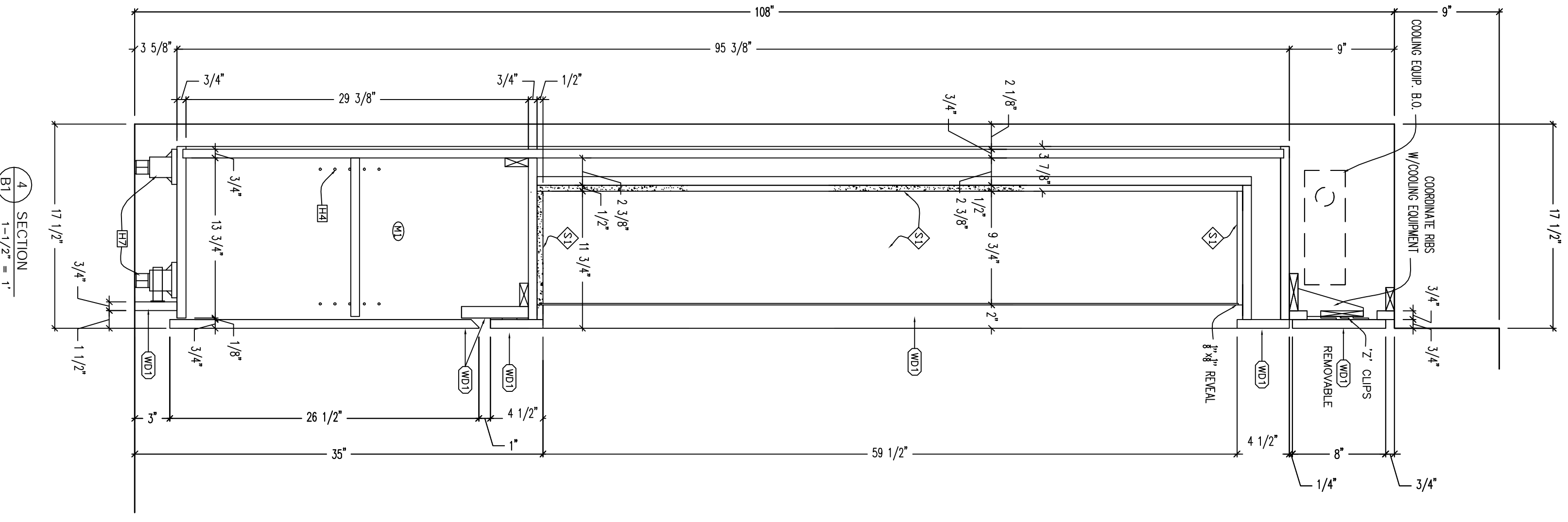
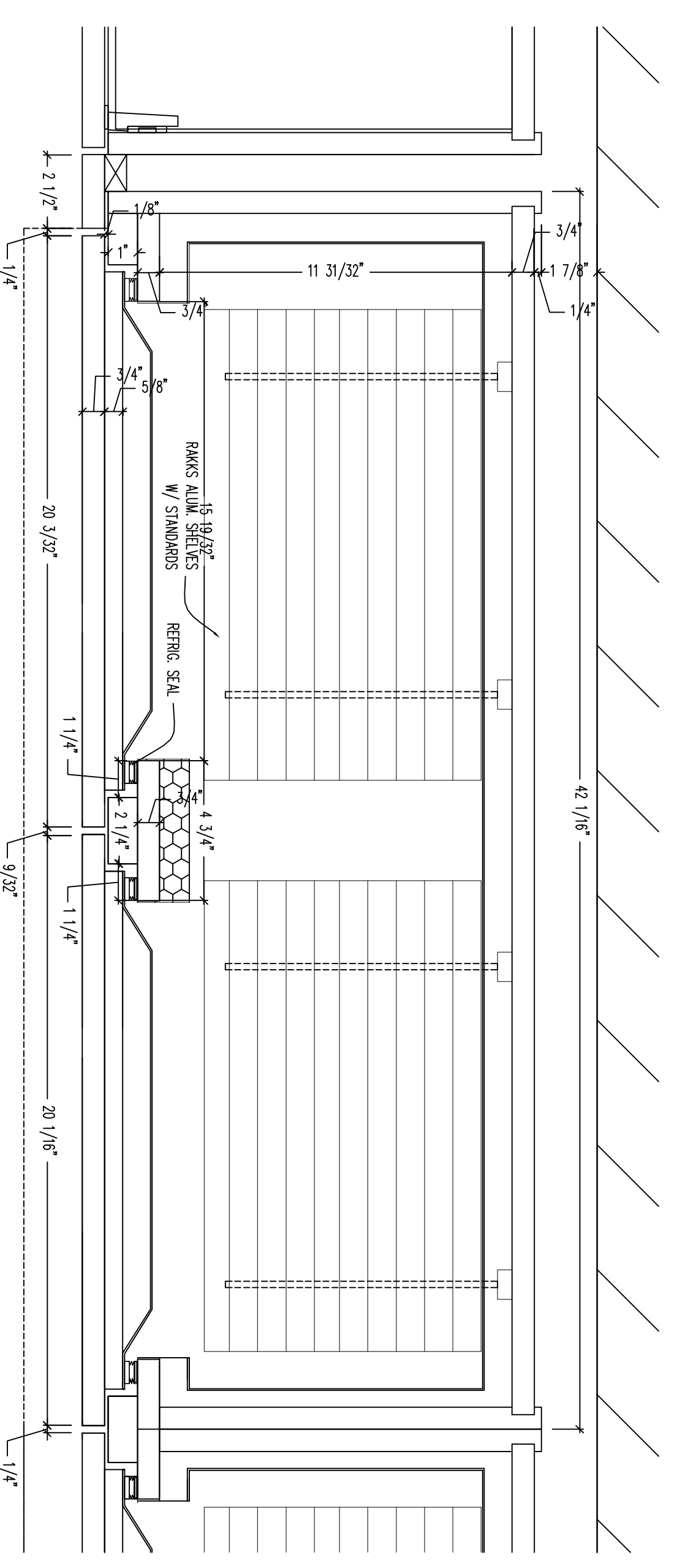
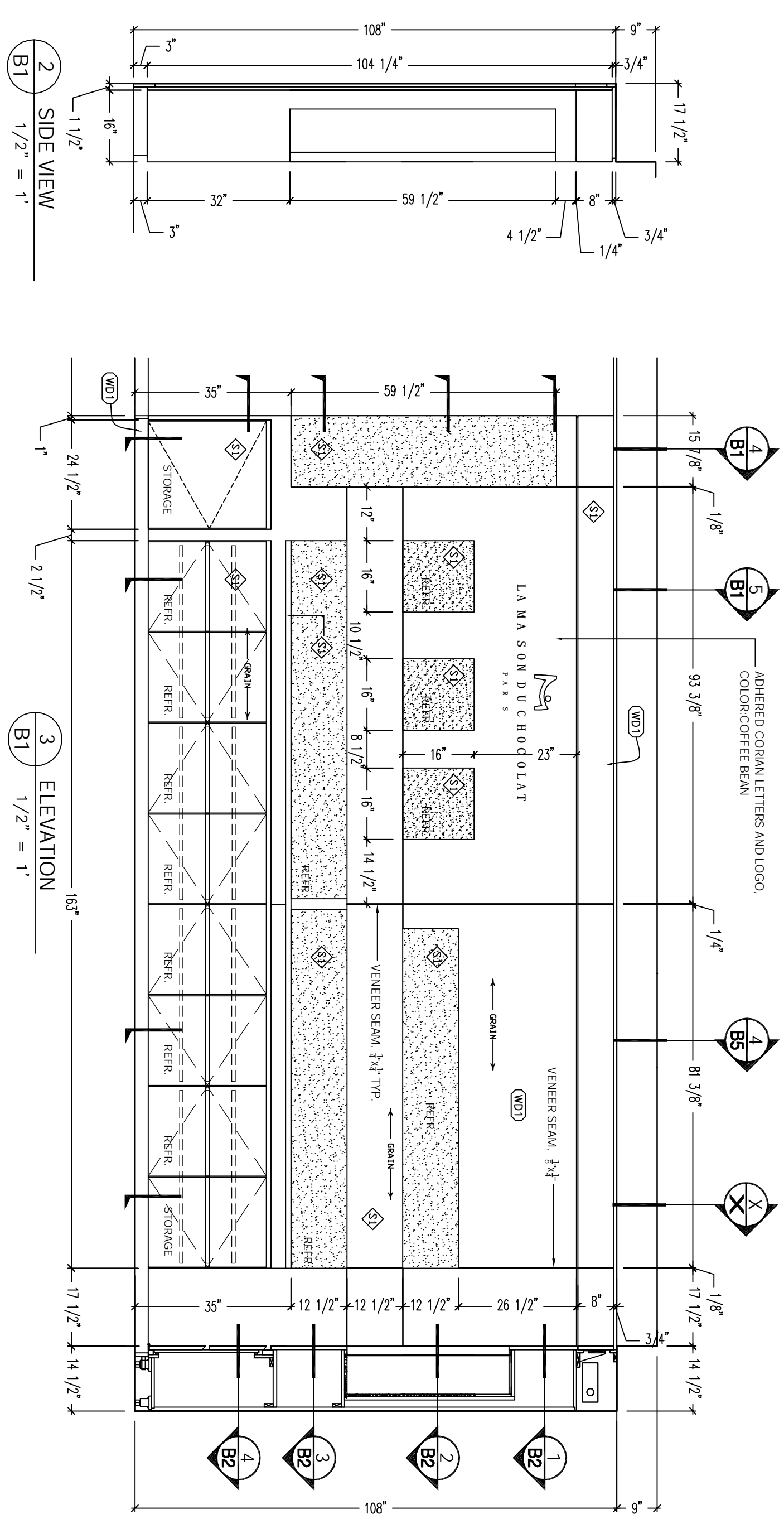


REFRIGERATOR UNIT INSULATION N.I.C.
REFRIG. COMPARTMENTS DETAILS WILL BE
REVISED PER MANUFACTURING STANDARDS AND
RESUBMITTED FOR APPROVAL.

LEGEND

- ◻ LAMINATE ◻ HARDWARE ◯ WOOD ◊ FINISH
- MATERIAL ◊ SOLID SURFACE MATERIAL
- ◻ DECORATIVE LAMINATE

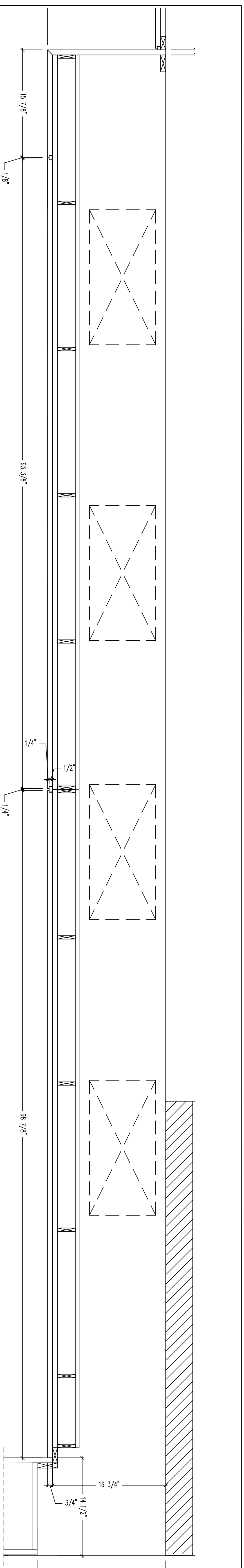
1 PLAN
1/2" = 1'



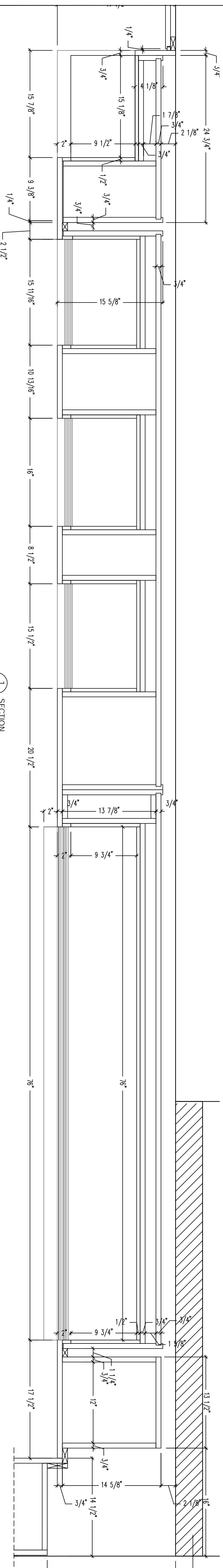
NOTES:

THESE DRAWINGS AND SPECIFICATIONS ARE THE PROPERTY OF THE OSWALD COMPANY. THEY ARE ISSUED SOLELY FOR THE PURPOSE OF CLARIFYING INITIAL DESIGN CONCEPTS AND SHALL NOT BE REPRODUCED, COPIED, DISCLOSED TO COMPETITORS, OR USED AS A BASIS FOR MANUFACTURING ANY COMPONENTS.

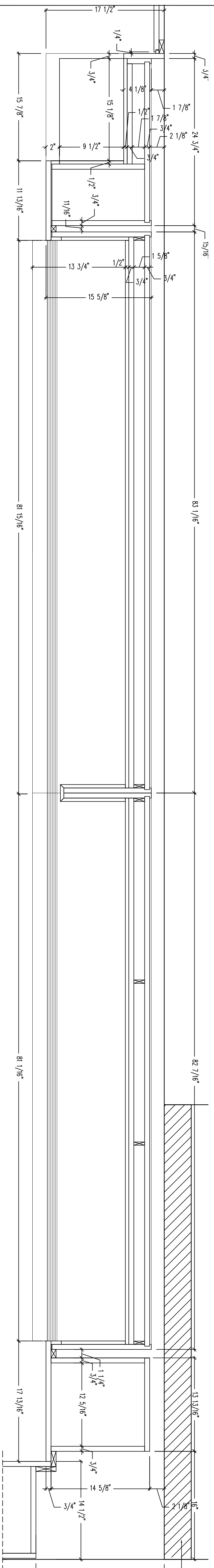
JOB TITLE: La Maison Du Chocolat—EAST/WEST PANELING
CUSTOMER: ARCH. REFERENCE: AS NOTED
CAD FILE: DRAWN BY: CAD/DRAFT.
SALES ORDER #: SCALE: AS NOTED
DATE: 05/24/08
ITEM/ROOM #: CINC/SHOP
SHOP OFFICE: INST./SET



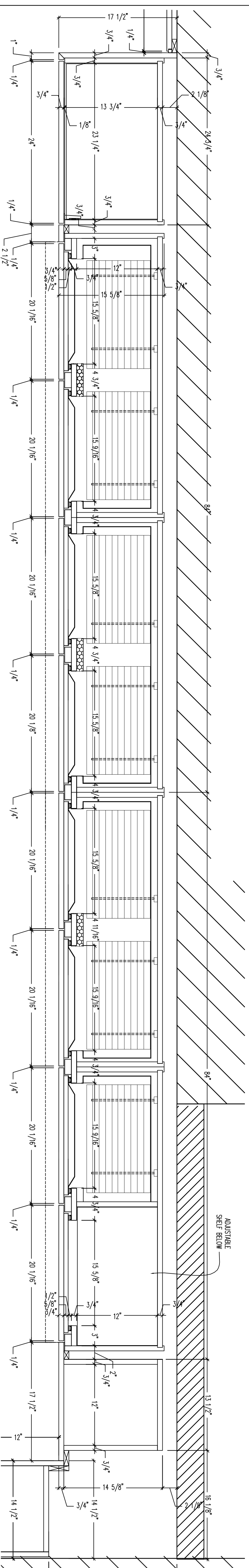
1 SECTION
1-1/2" = 1'



1 SECTION
1-1/2" = 1'



3 SECTION
1-1/2" = 1'



1 SECTION
1-1/2" = 1'

REFRIGERATOR UNIT INSULATION N.I.C. REFRIG COMPARTMENTS DETAILS WILL BE REFERRED TO RELEVANT LIVING STANDARDS AND RESUBMITTED FOR APPROVAL.

LEGEND

- LAMINATE
- HARDWARE
- WOOD
- ◇ FINISH
- MATERIAL
- ◇ SOLID SURFACE MATERIAL
- DECORATIVE LAMINATE

- PL1 1B0
- PL2
- PL3
- PL4
- PL5
- PL6
- WOOD
- WD1 OVEREX LES MARKS, LIGHT DARK STRAIGHT, HORIZONTAL GRAIN, 1PB
- WD2
- WD3

- ◇ FINISH
- ST1 1B0
- ST2 PAINTED DARK "BROWN CHOCOLATE"
- ST3
- ◇ SOLID SURFACE MATERIAL
- S1 BUTLER DRAW
- S2
- S3 COFFEE KEAM

- MATERIAL
- M1 WHITE MELAMINE
- M2 PARTICLE BOARD
- M3 WIRE BOARD
- M4 PVC EDGING TO MATCH FACE WENGER
- M5 DARK BRONZE DECORATIVE PATINA ON 1/2" WIRE PANELS
- M6 COTTON FABRIC, MATCH ARCHITECTS SAMPLE
- M7 PVC CRYSTAL (EXTRA-CLEAR PLASTIC)
- M8 UNPLASTER, MARBON SUDREN 005
- M9 STAINLESS TEMPERED GLASS
- M10 STAINLESS STEEL
- M11
- M12

- HARDWARE
- H1 HINGES S.C./ HINDE PLATES-GRASS
- H2 WIRE PULLS 4" SATIN CHROME
- H3 SLIDES-ADJUSTABLE 38X20 SLIDES
- H4 5MM SHELF PINS
- H5 BRACKS ALUMINUM SHELVES W/ STAINBARS
- H6 PIVOT HINGES
- H7 S.S. ADJUSTABLE LEGS, 4" TALL W/ CLIPS TO ATTACH BASE
- H8 CUSTOM 3/4" DIMM DARK BRONZE RODS, COLOR TO MATCH BUTLER DRAW
- H9
- H10
- H11

NOTES:

THESE DRAWINGS AND SPECIFICATIONS ARE THE PROPERTY OF THE OSWOLD COMPANY. THEY ARE ISSUED SOLELY FOR THE PURPOSE OF CLARIFYING INITIAL DESIGN CONCEPTS AND SHALL NOT BE REPRODUCED, COPIED, DISCLOSED TO COMPETITORS, OR USED AS A BASIS FOR MANUFACTURING ANY COMPONENTS.

REVISIONS	REASON

JOB TITLE: La Maison Du Chocolat - EAST/WEST PANELING

CUSTOMER: ARCH. REFERENCE: AS NOTED

CAD FILE: DRAWN BY: CAD/DRAFT. DATE: 05/24/08

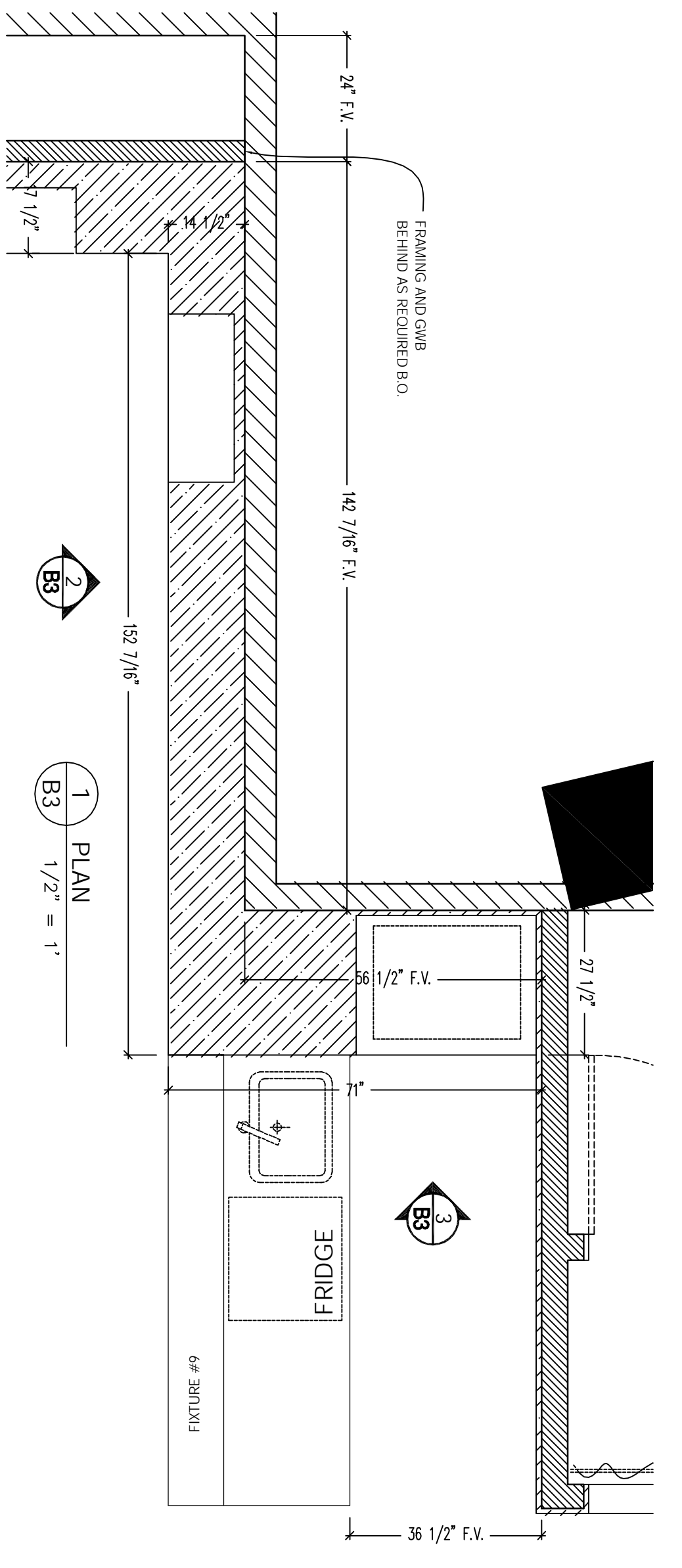
SALES ORDER #: SCALE: AS NOTED

ITEM/ROOM #: DATE: 05/24/08

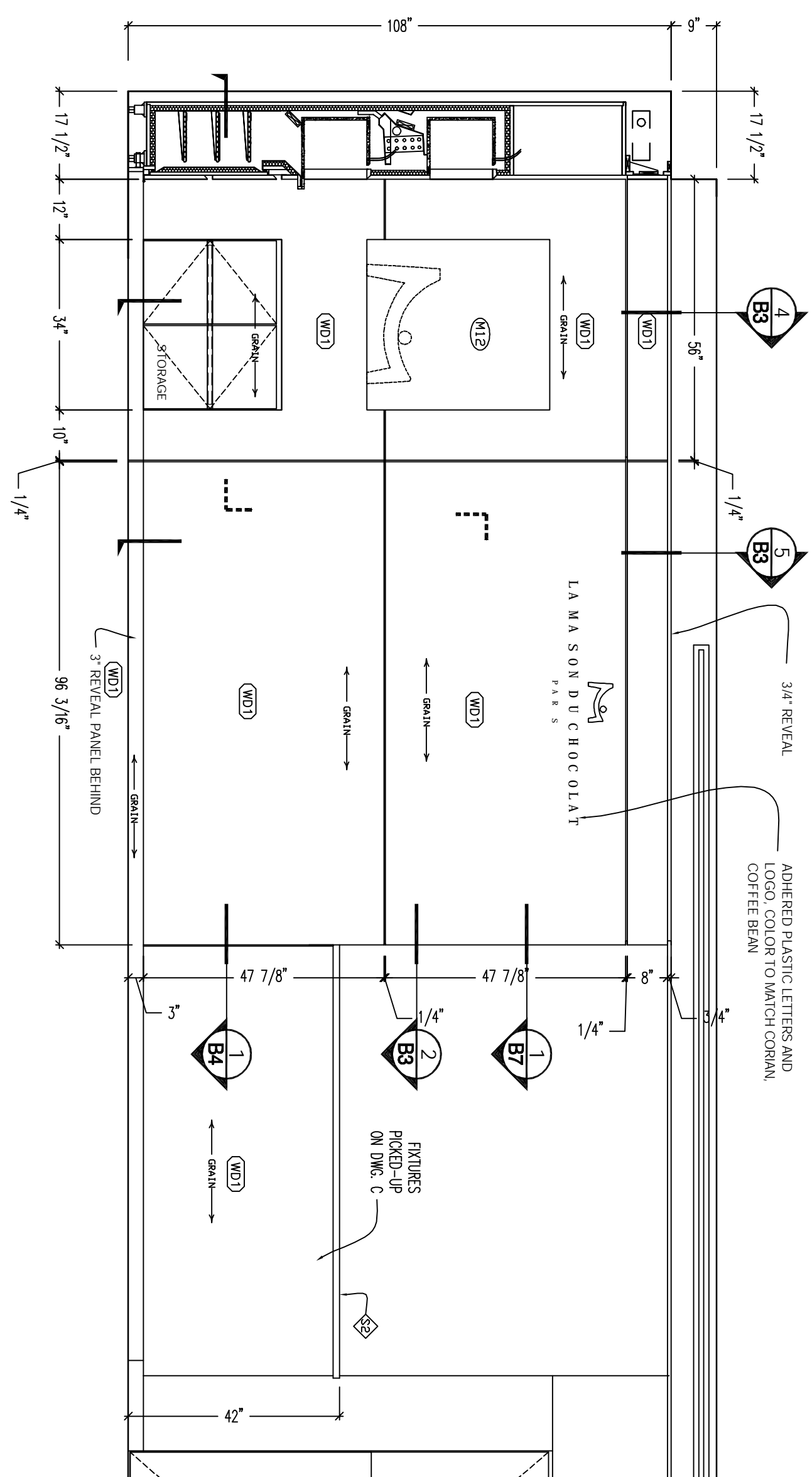
FIXTURES: 1-9

JOB NUMBER: DRAWING NUMBER: B2 OF 7

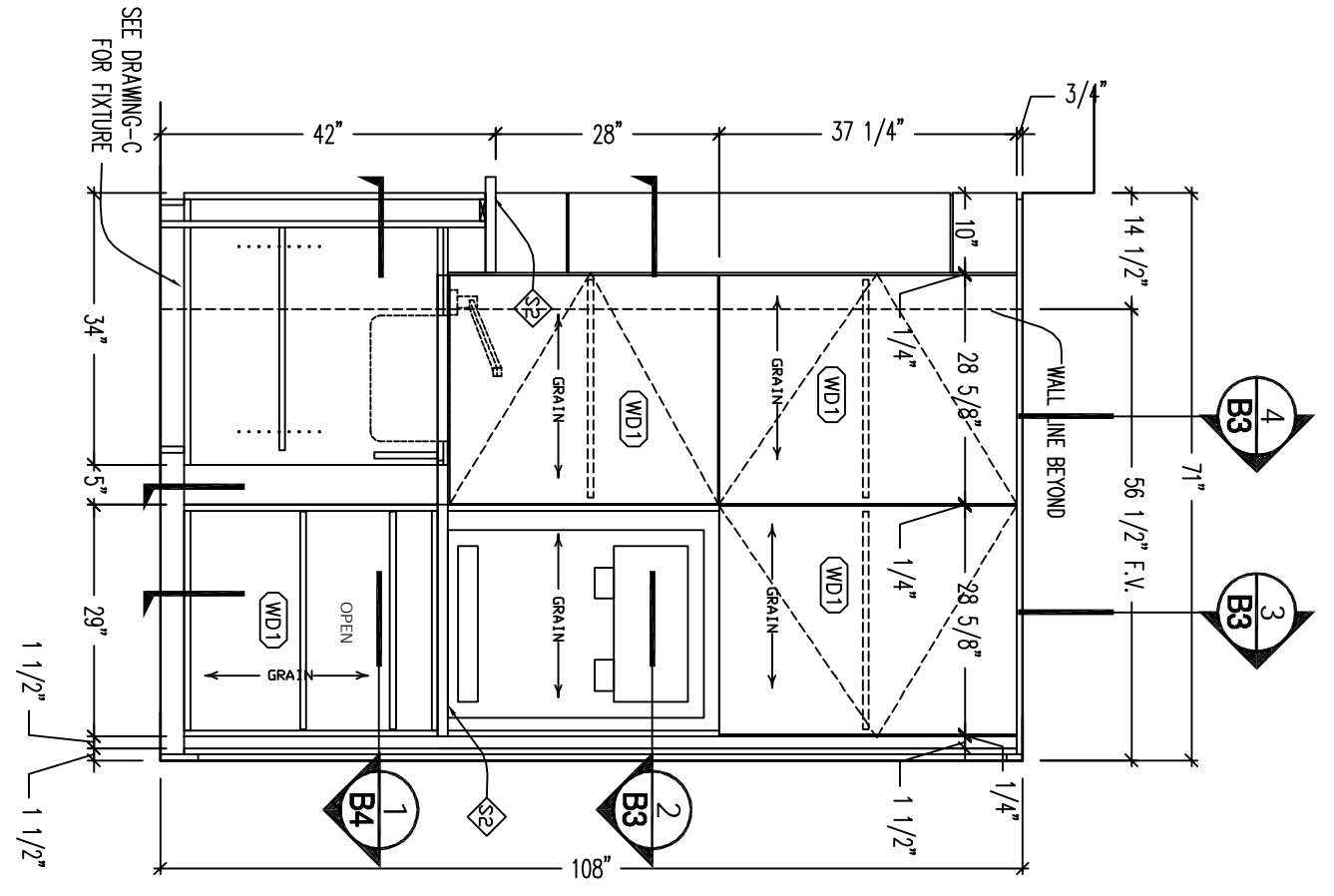
OFF. SET
CNC/SHOP
SHOP OFFICE
INST./SET



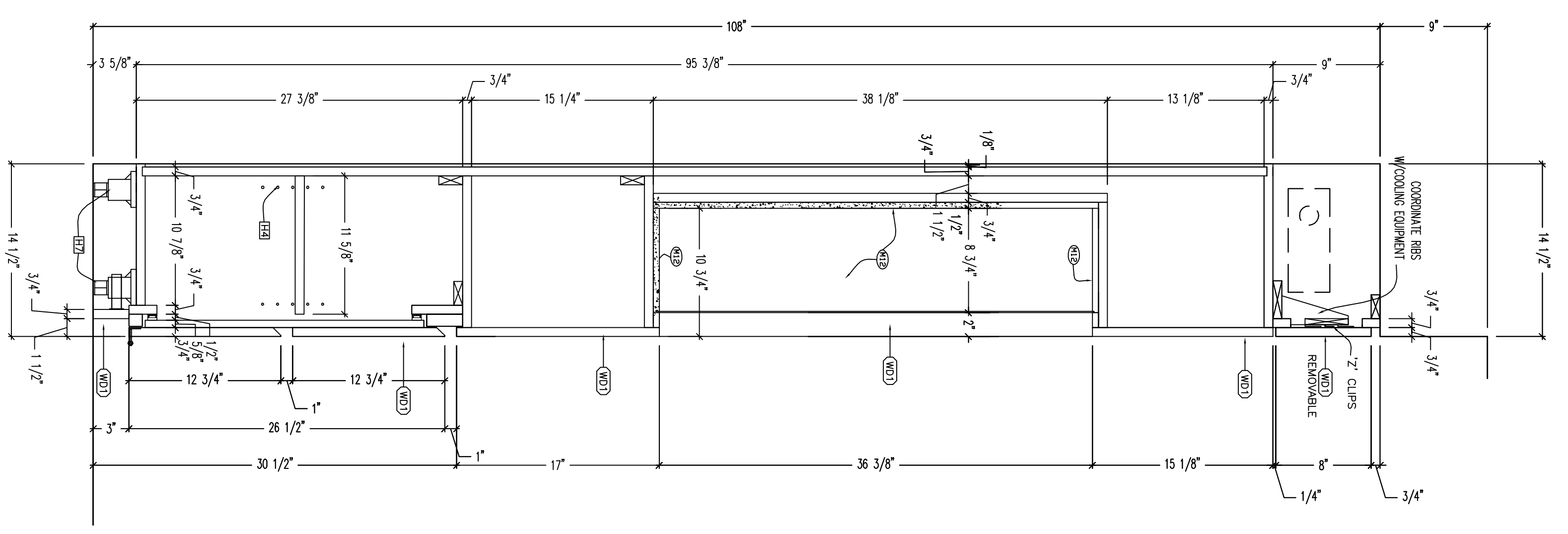
1 PLAN
B3 1/2" = 1'



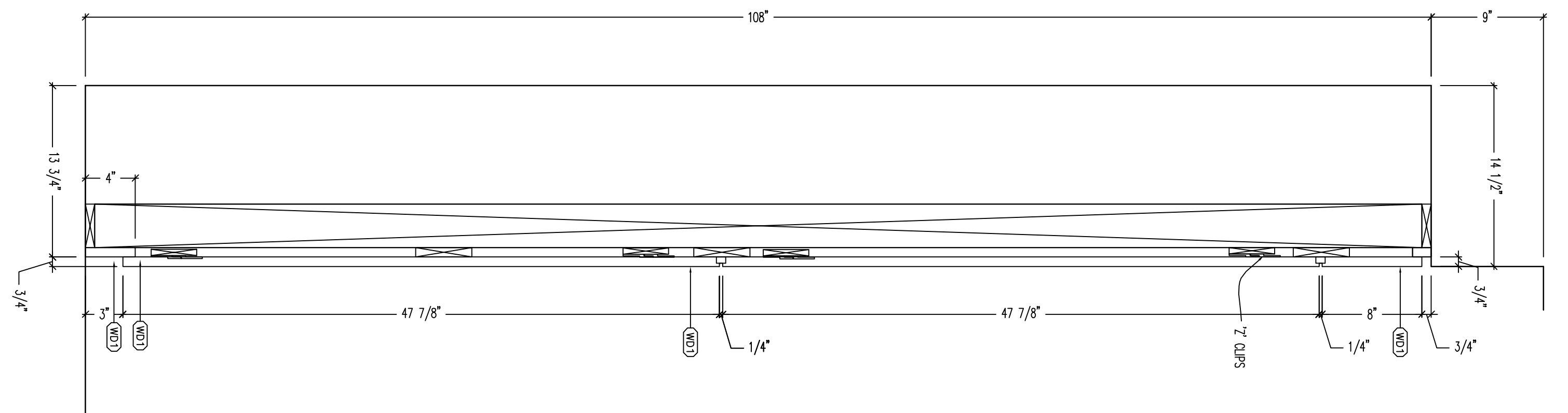
2 ELEVATION
B3 1/2" = 1'



3 ELEVATION
B3 1/2" = 1'



4 SECTION
B3 1-1/2" = 1'



5 SECTION
B3 1-1/2" = 1'

LEGEND

○ LAMINATE □ HARDWARE ○ WOOD ◇ FINISH

○ MATERIAL ◇ SOLID SURFACE MATERIAL

PL1 1B0 DECORATIVE LAMINATE

PL2 1B0

PL3 1B0

PL4 1B0

PL5 1B0

PL6 1B0

WOOD

WD1 1B0

WD2 1B0

WD3 1B0

FINISH

ST1 1B0

ST2 1B0

ST3 1B0

SOLID SURFACE MATERIAL

S1 1B0

S2 1B0

S3 1B0

MATERIAL

M1 1B0

M2 1B0

M3 1B0

M4 1B0

M5 1B0

M6 1B0

M7 1B0

M8 1B0

M9 1B0

M10 1B0

M11 1B0

M12 1B0

HARDWARE

H1 1B0

H2 1B0

H3 1B0

H4 1B0

H5 1B0

H6 1B0

H7 1B0

H8 1B0

H9 1B0

H10 1B0

H11 1B0

NOTES:

1. THESE DRAWINGS AND SPECIFICATIONS ARE THE PROPERTY OF THE OSWALD COMPANY. THEY ARE ISSUED SOLELY FOR THE PURPOSE OF CLARIFYING INITIAL DESIGN CONCEPTS AND SHALL NOT BE REPRODUCED, COPIED, DISCLOSED TO COMPETITORS, OR USED AS A BASIS FOR MANUFACTURING ANY COMPONENTS.

2. JOB TITLE: La Maison Du Chocolat—EAST/WEST PANELING

3. CUSTOMER: ARCH. REFERENCE: AS NOTED

4. CAD FILE: DRAWN BY: CAD/DRAFT.

5. SALES ORDER #: SCALE: AS NOTED

6. DATE: 05/24/08

7. ITEM/ROOM #: X

8. FIXTURES: 1-9

9. JOB NUMBER: 2008

10. DRAWING NUMBER: B3 OF 7

REVISIONS

NO.	REASON

LEGEND

- ☐ LAMINATE ☐ WOOD ○ FINISH
- ◊ MATERIAL ◊ SOLID SURFACE MATERIAL
- ◊ DECORATIVE LAMINATE
- PL1 1B0
- PL2
- PL3
- PL4
- PL5
- PL6
- WOOD
- WD1 ORBERLEX MARLS, LIGHT DARK STRAIGHT, HORIZONTAL GRAIN, 1P
- WD2
- WD3
- ◊ FINISH
- ST1 1B0
- ST2 PAINTED DARK "BROWN CHOCOLATE"
- ST3
- ◊ SOLID SURFACE MATERIAL
- S1 BUTLER DREAM
- S2 COFFEE BEAN
- S3
- MATERIAL
- M1 WHITE MELAMINE
- M2 PARTICLE BOARD
- M3 MFC BOARD
- M4 MFC BOARD TO MATCH FACE VENEER
- M5 DARK BRONZE DECORATIVE PATINA ON 1/2" MFC PANELS
- M6 COTTON FABRIC MATCH ARCHITECTS SAMPLE
- M7 PVC CRYSTAL (EXTRA-CLEAR PLASTIC)
- M8 JPHILSTERS: MARBON SUDREN 005
- M9 STARTER TEmPERED GLASS
- M10
- M11
- M12

- ☐ HARDWARE
- H1 HINGES S.C./ HINGE PLATES-GRASS
- H2 VIBE PULLS 4" SATIN CHROME
- H3 SLIDES-ADJUSTABLE 30X20 SLIDES
- H4 5MM SHELF PINS
- H5 BRACKS ALUMINUM SHELVES W/ STANDARDS
- H6 PIVOT HINGES
- H7 S.S. ADJUSTABLE LEGS, 4" TALL W/ CLIPS TO ATTACH BASE
- H8 CUSTOM 3/4" DIMM DARK BRONZE RODS, COLOR TO MATCH BUTLER DREAM
- H9
- H10
- H11

NOTES:

REASON	REVISIONS

THESE DRAWINGS AND SPECIFICATIONS ARE THE PROPERTY OF THE OSWALD COMPANY. THEY ARE ISSUED SOLELY FOR THE PURPOSE OF CLARIFYING INITIAL DESIGN CONCEPTS AND SHALL NOT BE REPRODUCED, COPIED, DISCLOSED TO COMPETITORS, OR USED AS A BASIS FOR MANUFACTURING ANY COMPONENTS.

JOB TITLE: La Maison Du Chocolat—EAST/WEST PANELING

CUSTOMER: ARCH. REFERENCE: AS NOTED

CAD FILE: X

SALES ORDER #: SCALE: AS NOTED

ITEM/ROOM #: DATE: 05/24/08

FIXTURES: 1-9

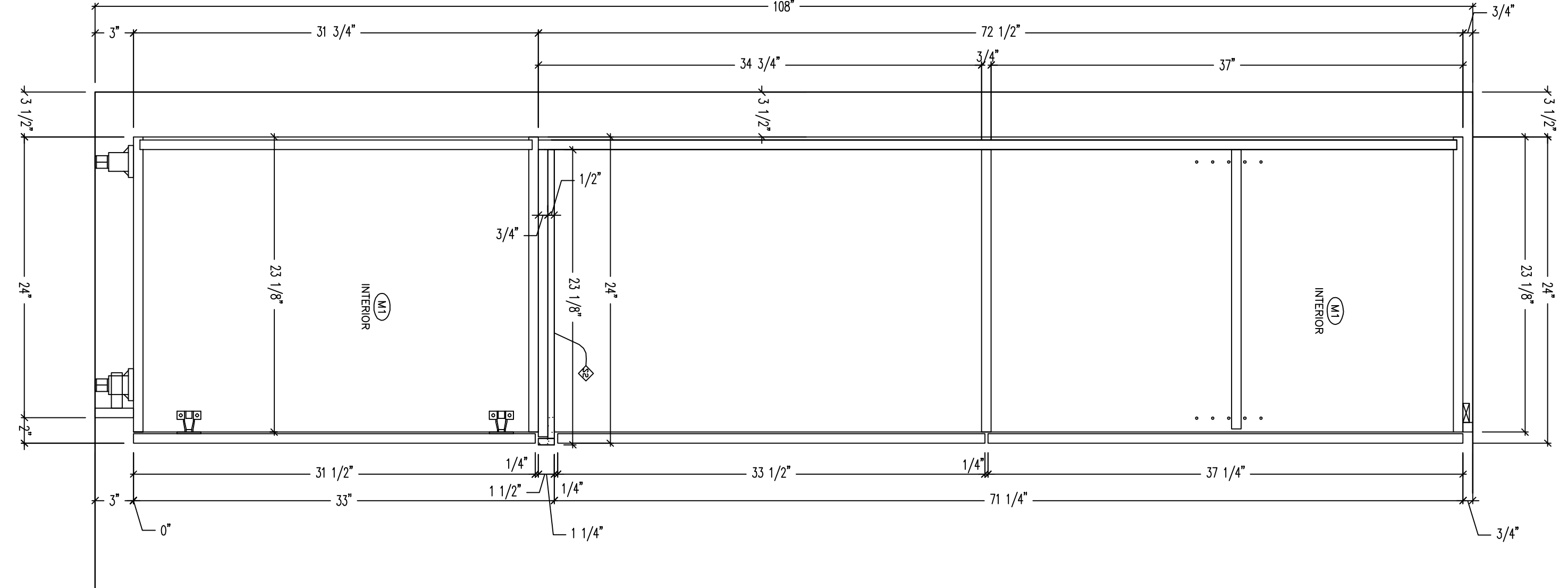
JOB NUMBER: DRAWING NUMBER: B4 OF 7

OFF. SET

CNC/SHOP

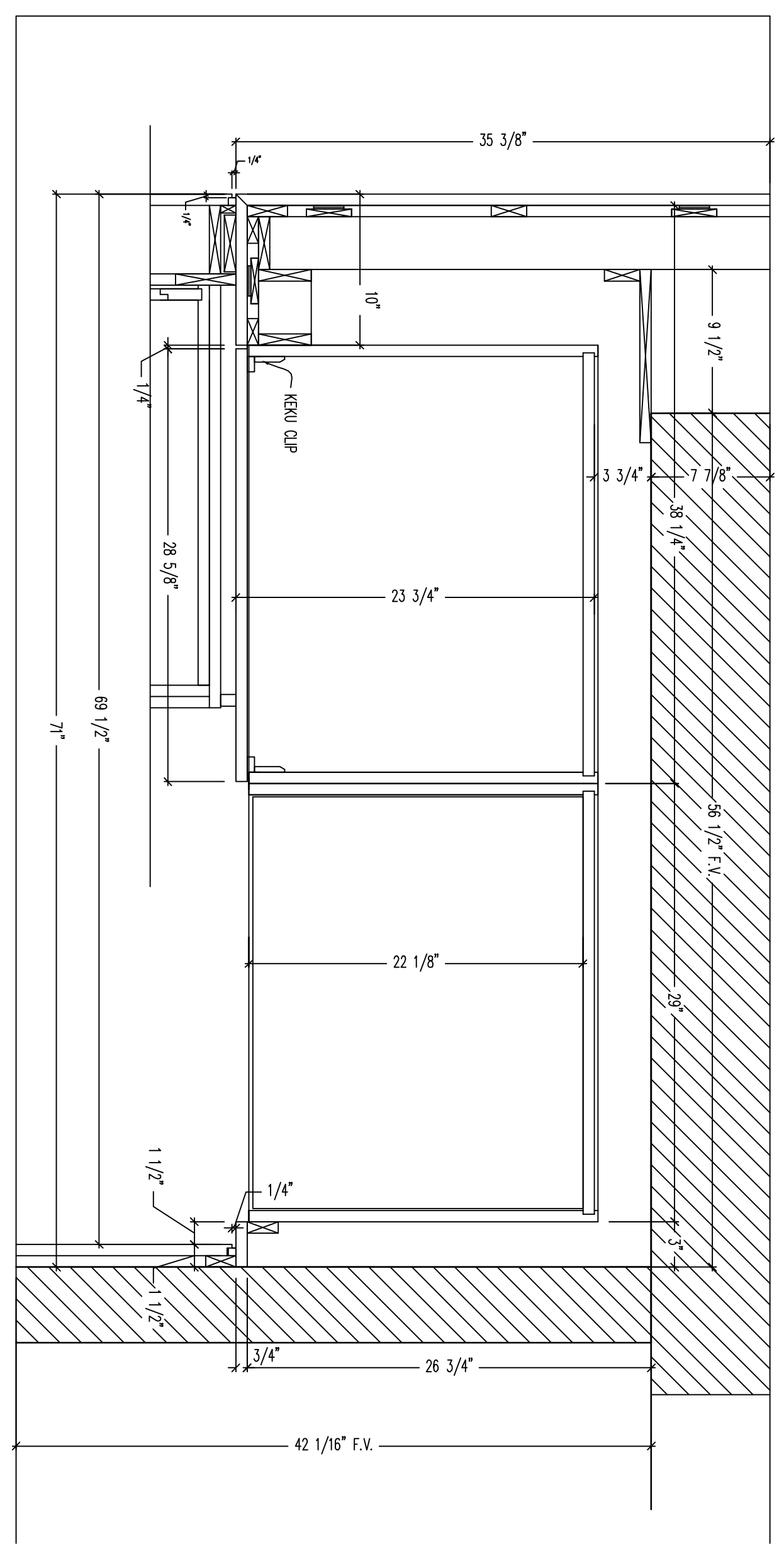
SHOP OFFICE

INST.SET

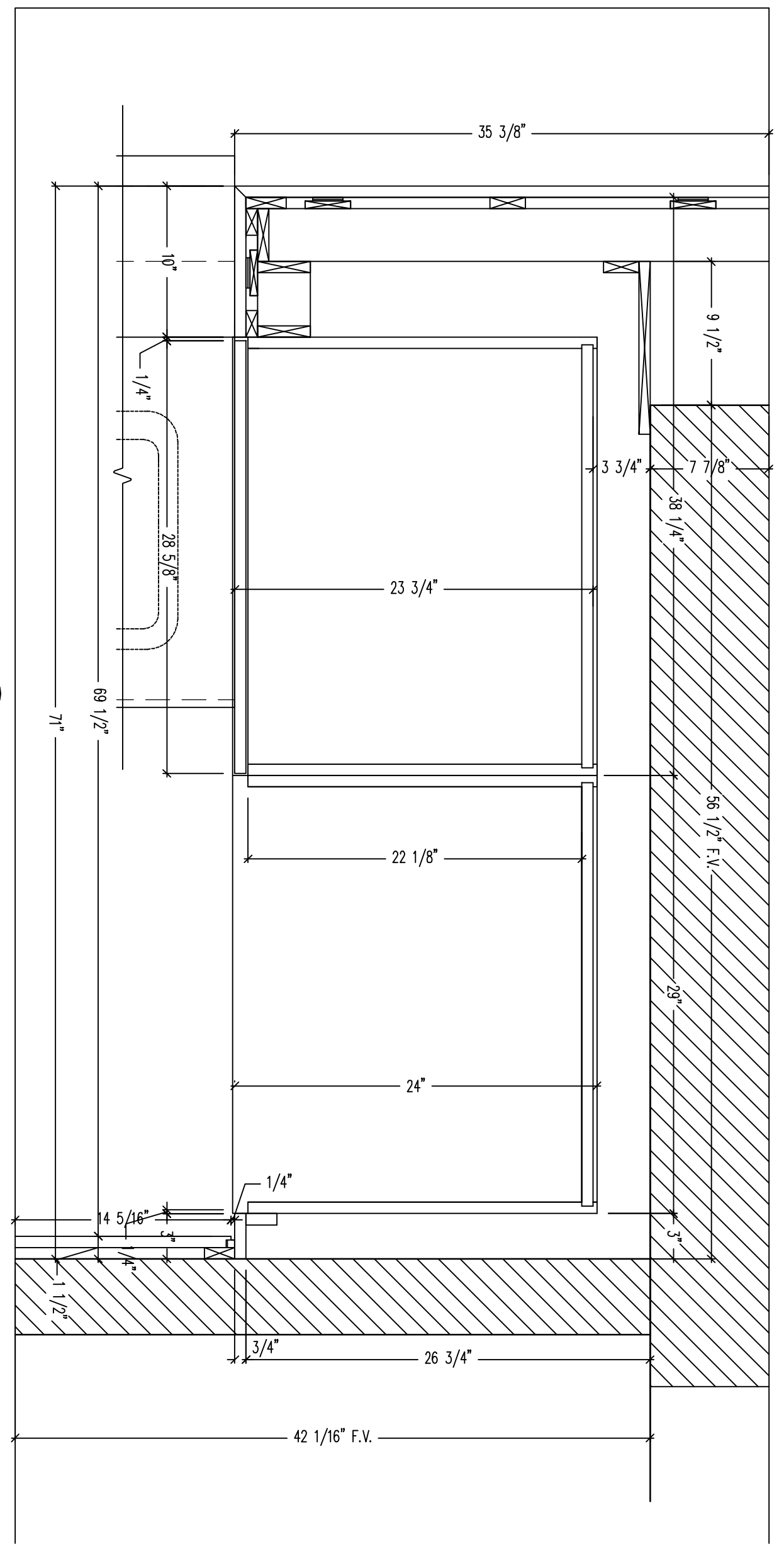


3 SECTION
1-1/2" = 1'

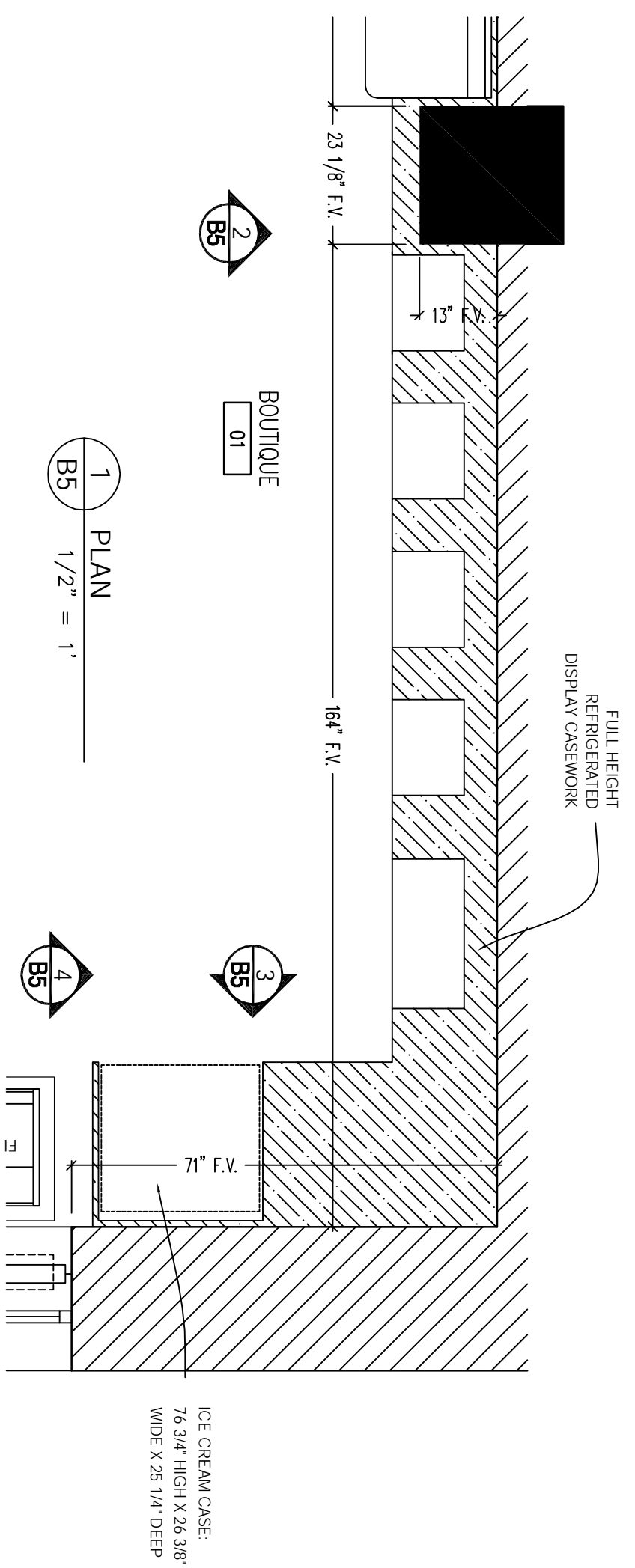
4 SECTION
1-1/2" = 1'



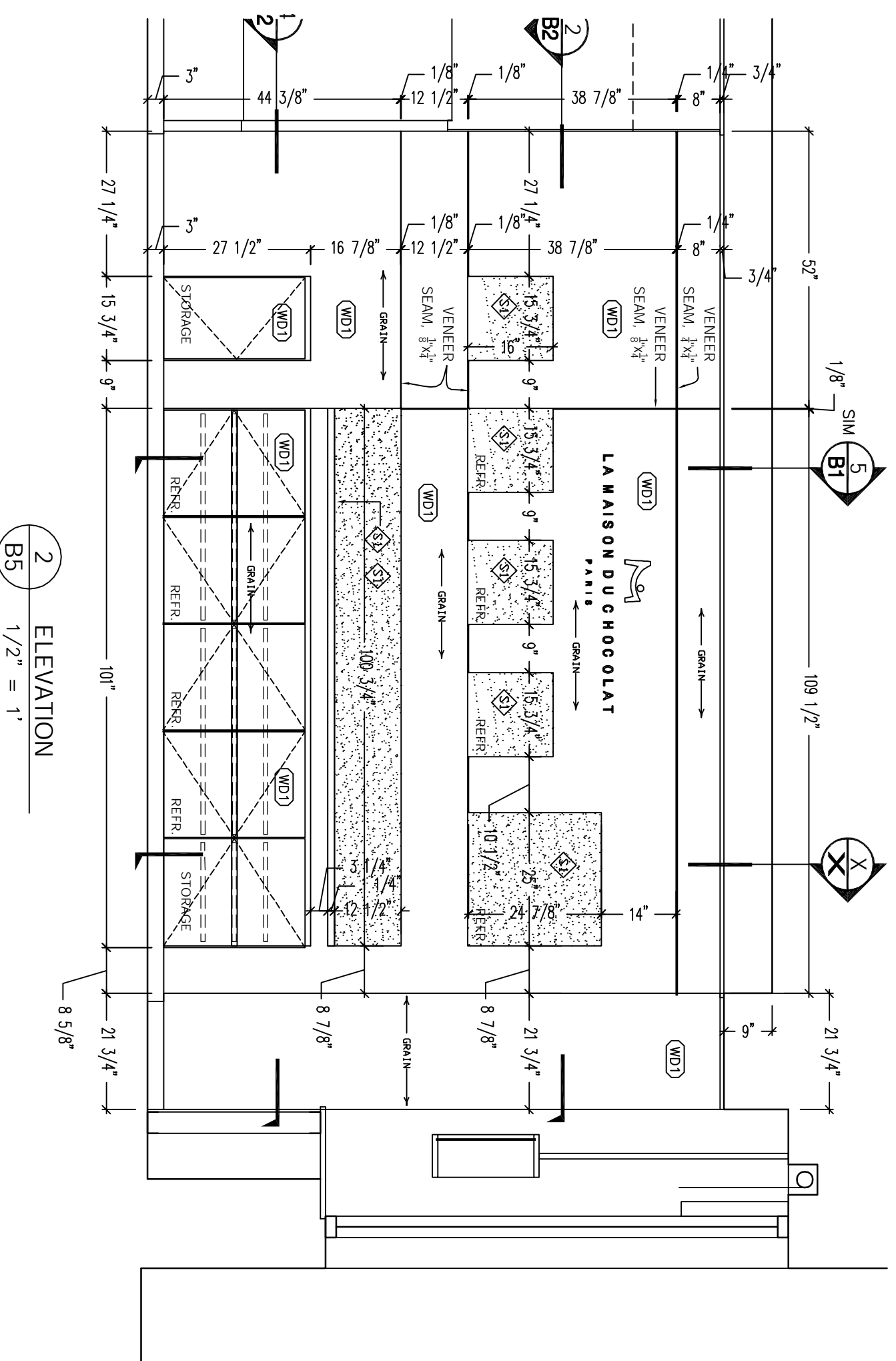
1 SECTION
1-1/2" = 1'



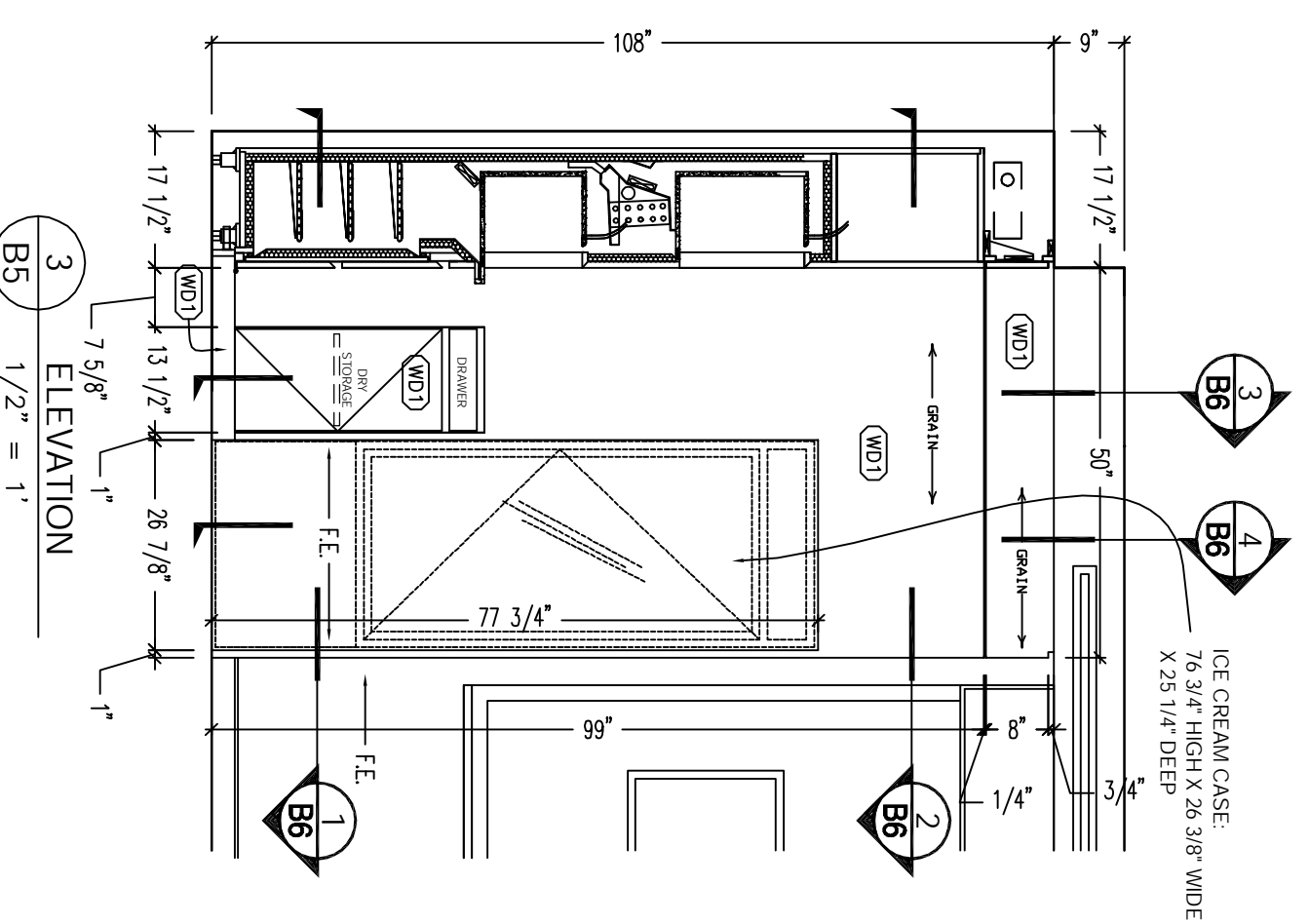
2 SECTION
1-1/2" = 1'



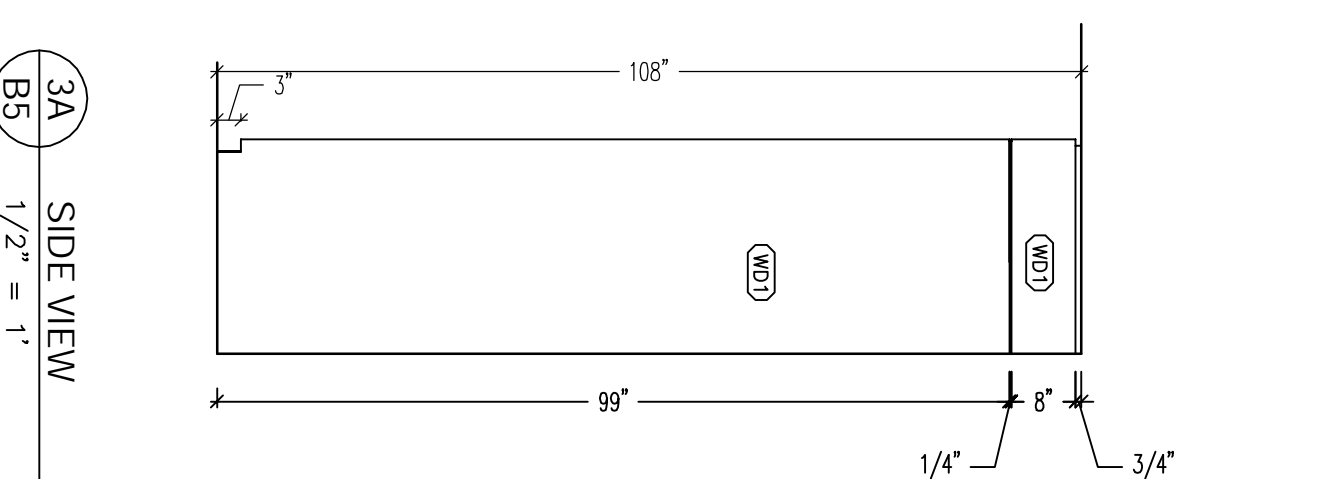
1 PLAN
B5 1/2" = 1'



2 ELEVATION
B5 1/2" = 1'

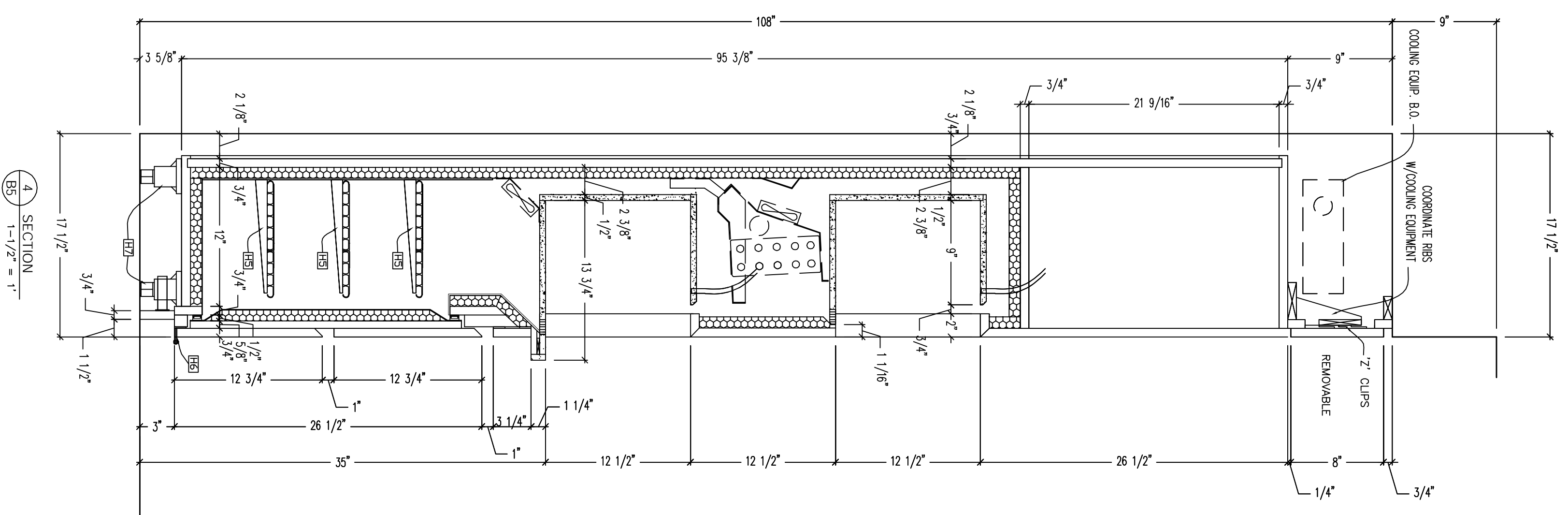


3 ELEVATION
B5 1/2" = 1'



3A SIDE VIEW
B5 1/2" = 1'

REFRIGERATOR UNIT INSULATION, N.L.C. REFRIG COMPARTMENTS DETAILS WILL BE REVISED PER MANUFACTURING STANDARDS AND RESUBMITTED FOR APPROVAL.



4 SECTION
B5 1-1/2" = 1'

LEGEND

- LAMINATE □ HARDWARE ○ WOOD ◇ FINISH
- MATERIAL ◇ SOLID SURFACE MATERIAL
- DECORATIVE LAMINATE

- PL1 1B0
- PL2
- PL3
- PL4
- PL5
- PL6

- WOOD
- WD1
- WD2
- WD3

- FINISH
- ST1 1B0
- ST2
- ST3

- SOLID SURFACE MATERIAL
- S1
- S2
- S3

- MATERIAL
- M1
- M2
- M3
- M4
- M5
- M6
- M7
- M8
- M9
- M10
- M11
- M12

- HARDWARE
- H1
- H2
- H3
- H4
- H5
- H6
- H7
- H8
- H9
- H10
- H11

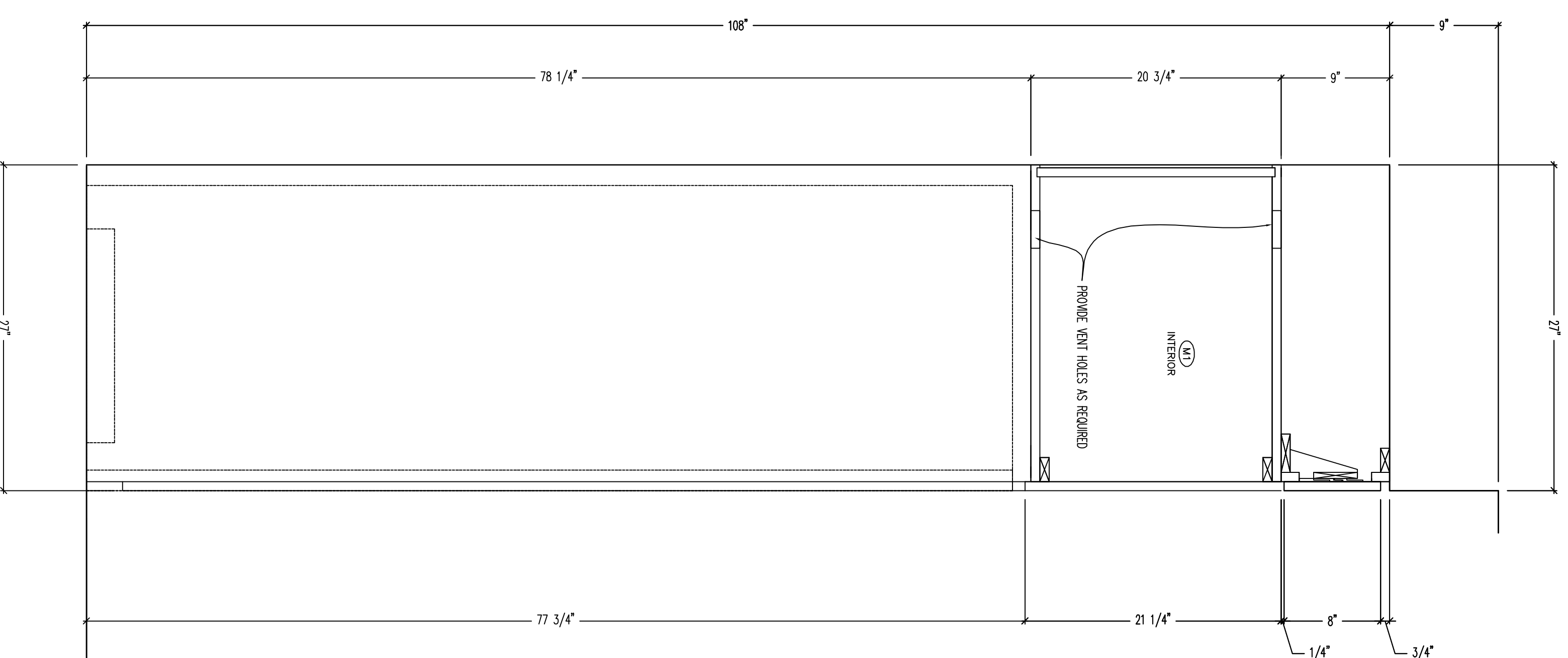
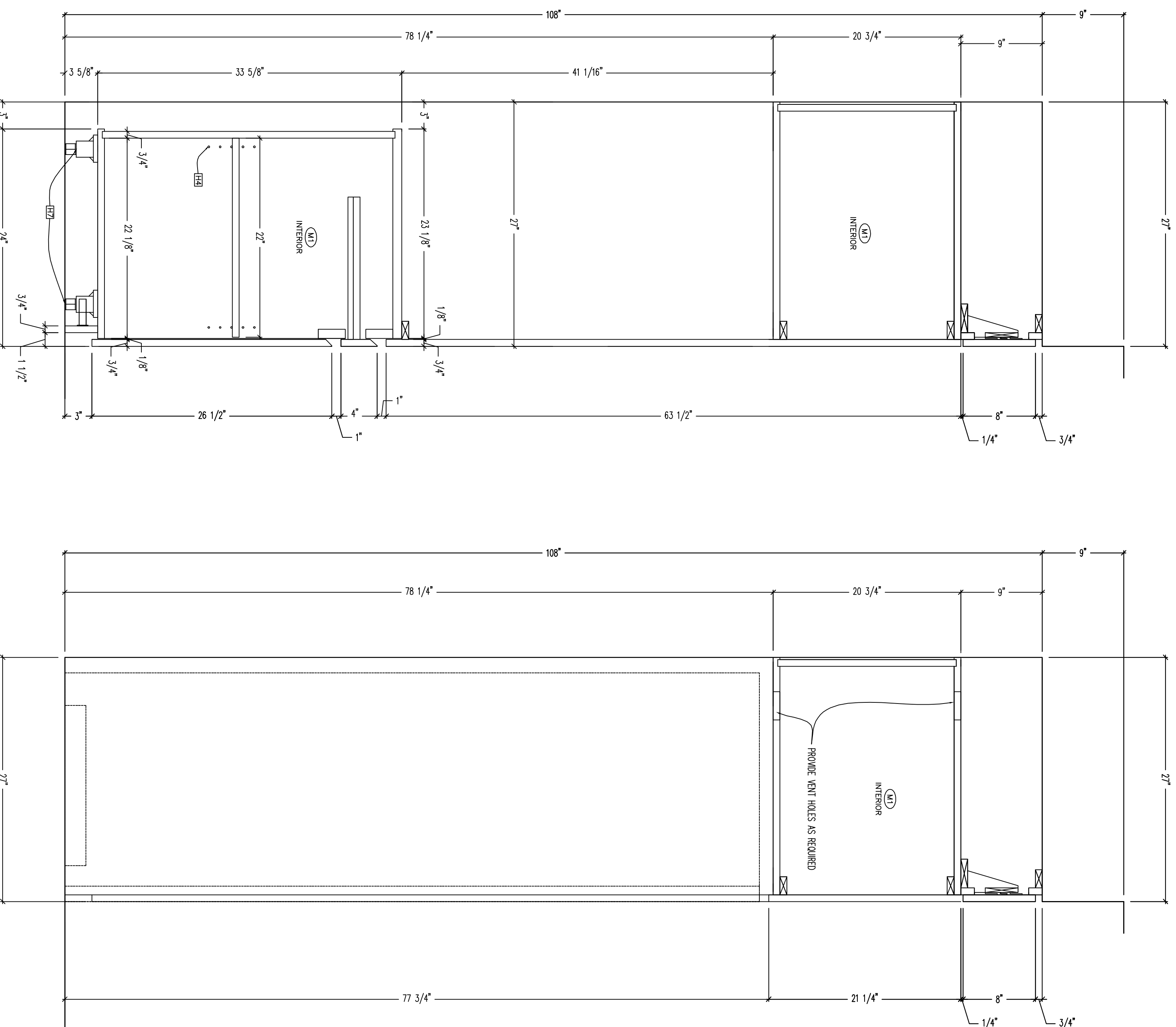
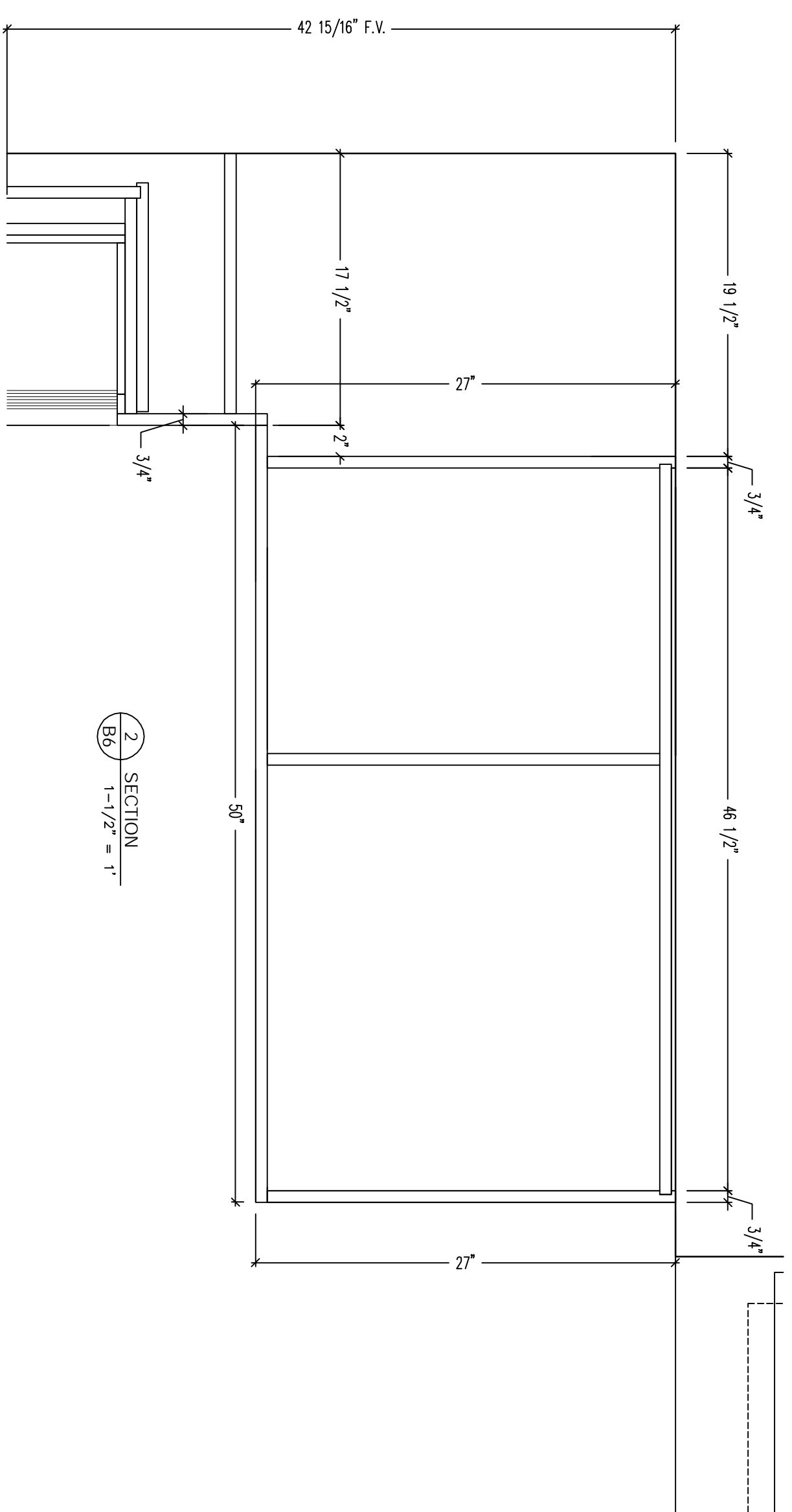
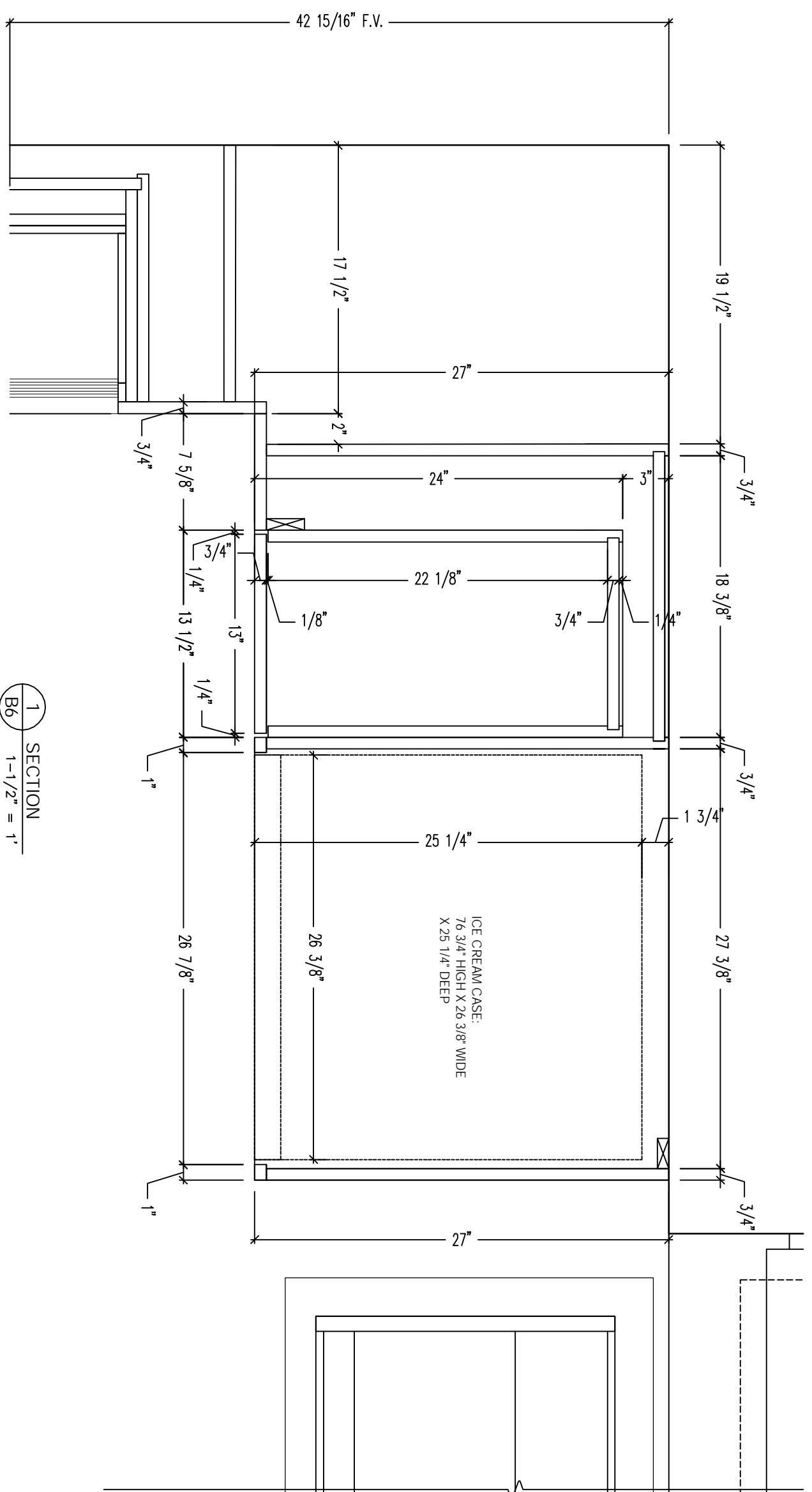
NOTES:

THESE DRAWINGS AND SPECIFICATIONS ARE THE PROPERTY OF THE OSWALD COMPANY. THEY ARE ISSUED SOLELY FOR THE PURPOSE OF CLARIFYING INITIAL DESIGN CONCEPTS AND SHALL NOT BE REPRODUCED, COPIED, DISCLOSED TO COMPETITORS, OR USED AS A BASIS FOR MANUFACTURING ANY COMPONENTS.

JOB TITLE: La Maison Du Chocolat—EAST/WEST PANELING
 CUSTOMER: ARCH. REFERENCE: AS NOTED
 CAD FILE: DRAWN BY: CAD DRAFT: DATE: 05/24/08

SALES ORDER #: SCALE: AS NOTED
 ITEM/ROOM #: DATE: 05/24/08
 FIXTURES: 1-9
 JOB NUMBER: DRAWING NUMBER: B6 OF 7

REVISIONS	REASON



NOTES:
 THESE DRAWINGS AND SPECIFICATIONS ARE THE PROPERTY OF THE ORIGIN COMPANY.
 THEY ARE ISSUED SOLELY FOR THE PURPOSE OF CLARIFYING INITIAL DESIGN CONCEPTS
 AND SHALL NOT BE REPRODUCED, COPIED, DISCLOSED TO COMPETITORS, OR USED AS A
 BASIS FOR MANUFACTURING ANY COMPONENTS.

REVISIONS

JOB TITLE:
 La Maison Du Chocolat—EAST/WEST PANELING

CUSTOMER:
 ARCH. REFERENCE:
 AS NOTED

SALES ORDER #:
 SCALE:
 AS NOTED

ITEM/ROOM #:
 FIXTURES: 1-9

JOB NUMBER:
 DRAWING NUMBER:
 2008 B6 OF 7

OFF. SET
 CNC/SHOP
 SHOP OFFICE
 INST.SET

LEGEND

○ LAMINATE □ HARDWARE ○ WOOD ◇ FINISH

○ MATERIAL ◇ SOLID SURFACE MATERIAL

◇ DECORATIVE LAMINATE

PL1 1B0

PL2

PL3

PL4

PL5

PL6

WOOD

WD1 ORBERLEX MARLS, LIGHT DARK STRAIGHT, HORIZONTAL GRAIN, TRP

WD2

WD3

FINISH

ST1 1B0

ST2 PAINTED DARK "BROWN CHOCOLATE"

ST3

SOLID SURFACE MATERIAL

S1 BUTLER DRAW

S2 COFFEE BEAM

S3

MATERIAL

M1 WHITE MELAMINE

M2 PARTICLE BOARD

M3

M4 PVC EDGING TO MATCH FACE WENGER

M5 DARK BRONZE DECORATIVE PATINA ON 1/2" WIPER PANELS

M6 COTTON FABRIC, MATCH ARCHITECTS SAMPLE

M7 PVC CRYSTAL (EXTRA-CLEAR PLASTIC)

M8 JPHOLSTER: MARBOM SUDEN 005

M9 STAINLESS TEMPERED GLASS

M10

M11

M12

HARDWARE

H1 HINGES & C / HINGE PLATES-BRASS

H2 WIRE PULS 4" SATIN CHROME

H3 SLIDES-ADJUSTABLE 3032-20 SLIDES

H4 5MM SHELF PINS

H5 BRASS ALUMINUM SHELVES W/ STAINBARS

H6 PIVOT HINGES

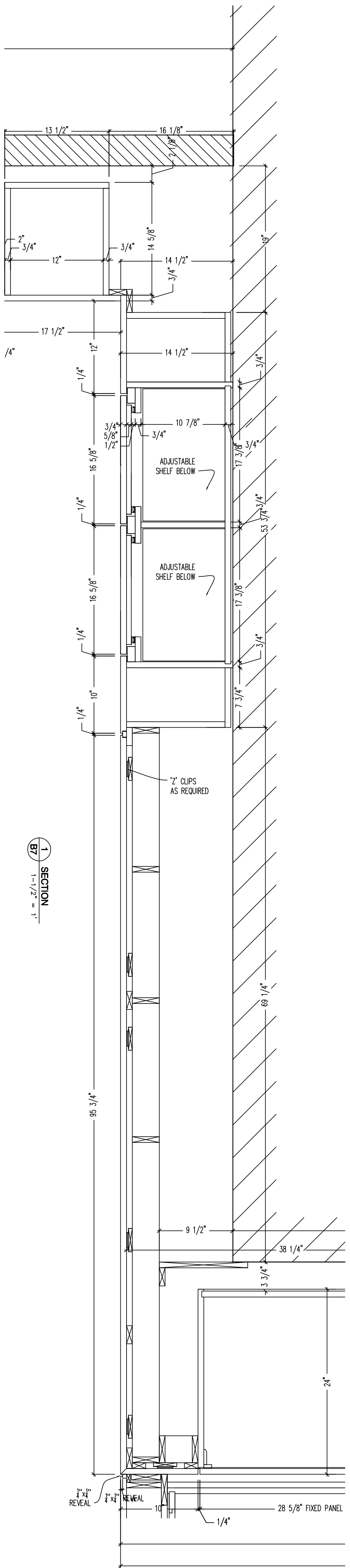
H7 S.S. ADJUSTABLE LEGS, 4" TALL W/ CLIPS TO ATTACH BASE

H8 CUSTOM 3/4" DIAM DARK BRONZE BBS, COLOR TO MATCH BUTLER DRAW

H9

H10

H11



SECTION
B7
1'-0\"/>

LEGEND

- LAMINATE
- HARDWARE
- WOOD
- FINISH
- MATERIAL
- SOLID SURFACE MATERIAL
- DECORATIVE LAMINATE

- PL1 1B0
- PL2
- PL3
- PL4
- PL5
- PL6

- WD1 WOOD
- WD2
- WD3

- ST1 1B0
- ST2 PAINTED DARK BROWN CHOCOLATE
- ST3

- S1 SOLID SURFACE MATERIAL
- S2
- S3

- M1 MATERIAL
- M2
- M3
- M4
- M5
- M6
- M7
- M8
- M9
- M10
- M11
- M12

- H1 HARDWARE
- H2
- H3
- H4
- H5
- H6
- H7
- H8
- H9
- H10
- H11

NOTES:

THESE DRAWINGS AND SPECIFICATIONS ARE THE PROPERTY OF THE OSWOLD COMPANY. THEY ARE ISSUED SOLELY FOR THE PURPOSE OF CLARIFYING INITIAL DESIGN CONCEPTS AND SHALL NOT BE REPRODUCED, COPIED, DISCLOSED TO COMPETITORS, OR USED AS A BASIS FOR MANUFACTURING ANY COMPONENTS.

JOB TITLE:		La Maison Du Chocolat—EAST/WEST PANELING	
CUSTOMER:		ARCH. REFERENCE:	
CAD FILE:		AS NOTED	
SALES ORDER #:		SCALE:	
ITEM/ROOM #:		DATE:	
FIXTURES 1-9		05/24/08	
JOB NUMBER:		DRAWING NUMBER:	
2008		B7 OF 7	