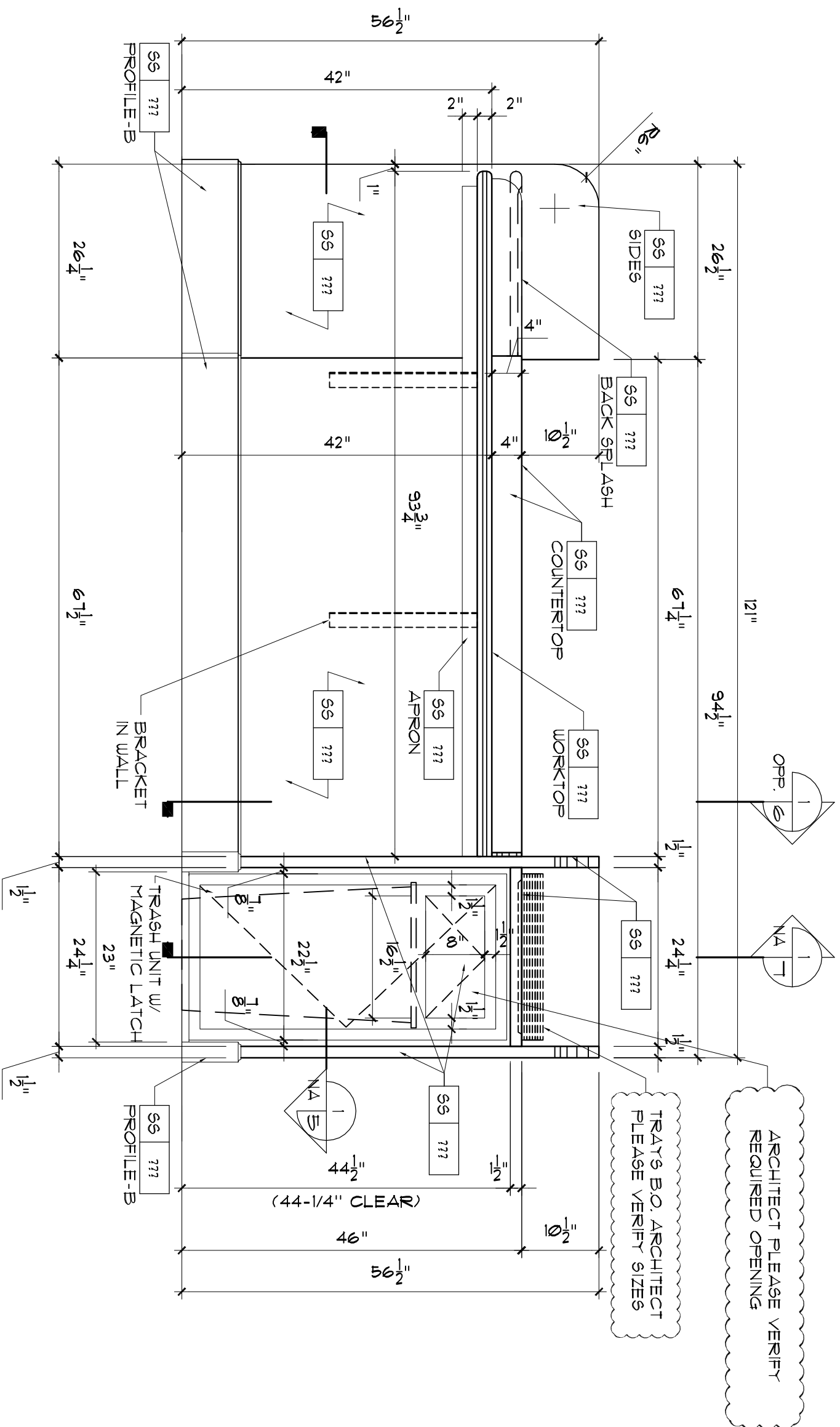


SKETCH 1 PLAN VIEW - FOOD COURT ISLANDS RM. 123
 SKETCH 2 SCALE: 3/4" = 1'-0"

FOOD COURT
 RM. 123

TRAYS B.O. ARCHITECT
 PLEASE VERIFY SIZES

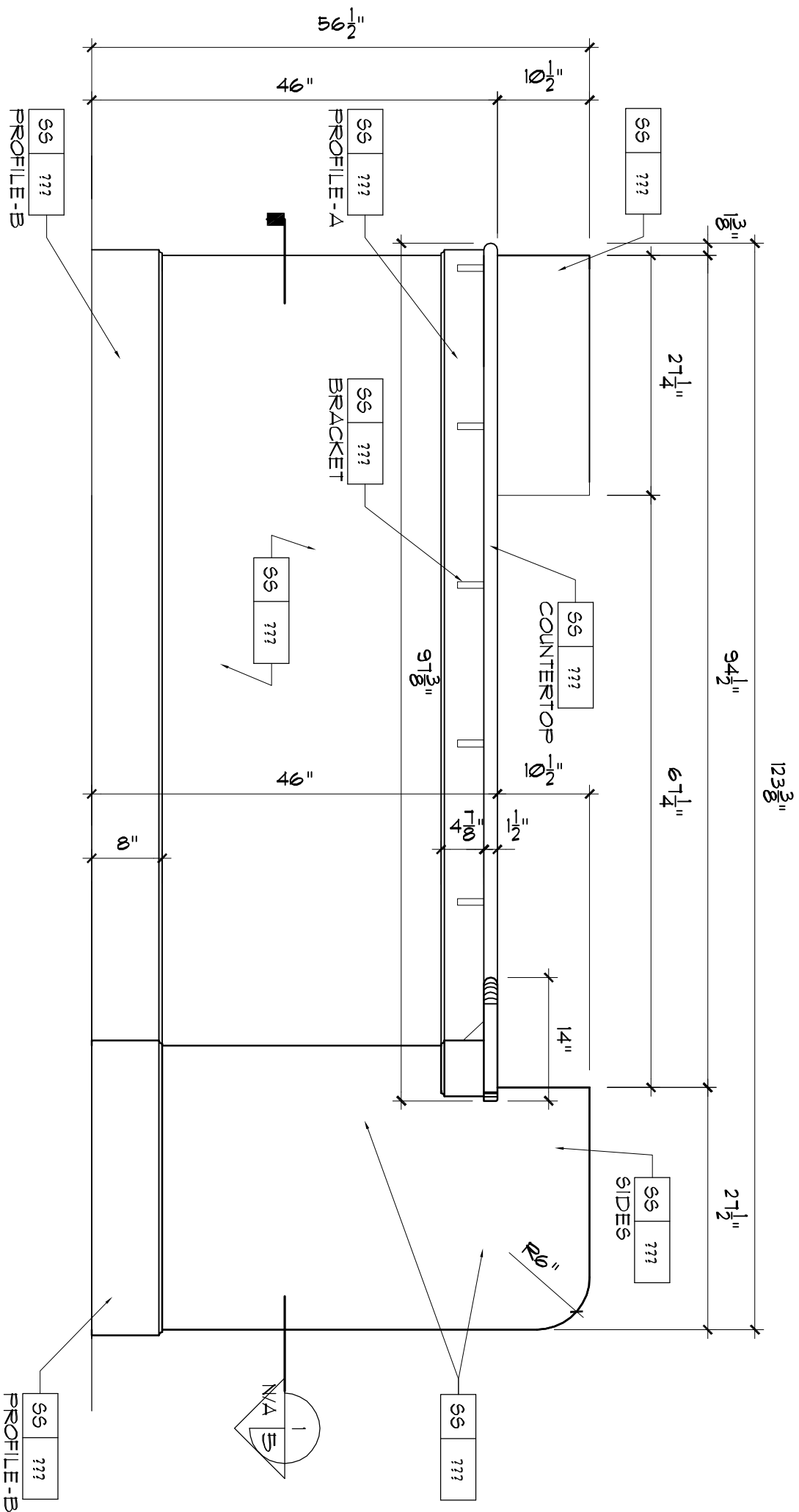
PROJECT: Mall Management	LOCATION: Orlando, Florida
	DRAWING TITLE: FOOD COURT ISLANDS RM. 123
DRAWN BY: NB	CHECKED BY:
DATE: 07/20/07	
JOB NO.: 2710	
DRAWING NO.: 08	
SHEET NO.: 2 OF 8	



1
 SKETCH
 3
 SCALE: 3/4" = 1'-0"
 ELEVATION - FOOD COURT ISLANDS RM. 123

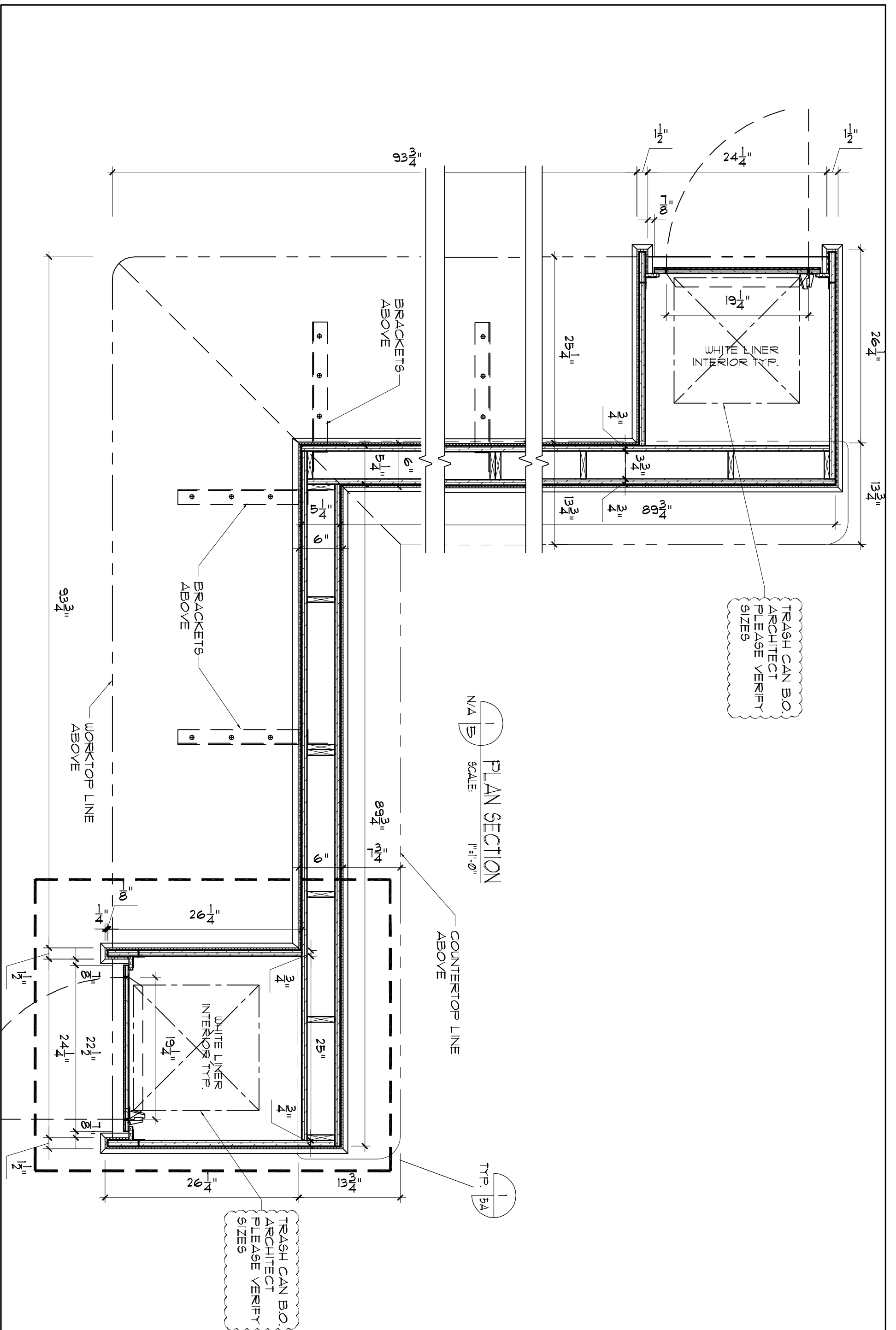
4 UNITS REQUIRED:
 -AS SHOWN, SEE ARCH.
 FLOOR PLANS

PROJECT:	Mall Management
LOCATION:	Orlando, Florida
DRAWING TITLE:	FOOD COURT ISLANDS RM. 123
DRAWN BY:	NB
CHECKED BY:	
DATE:	07/20/07
JOB NO.:	2710
DRAWING NO.:	08
SHEET NO.:	3 OF 8

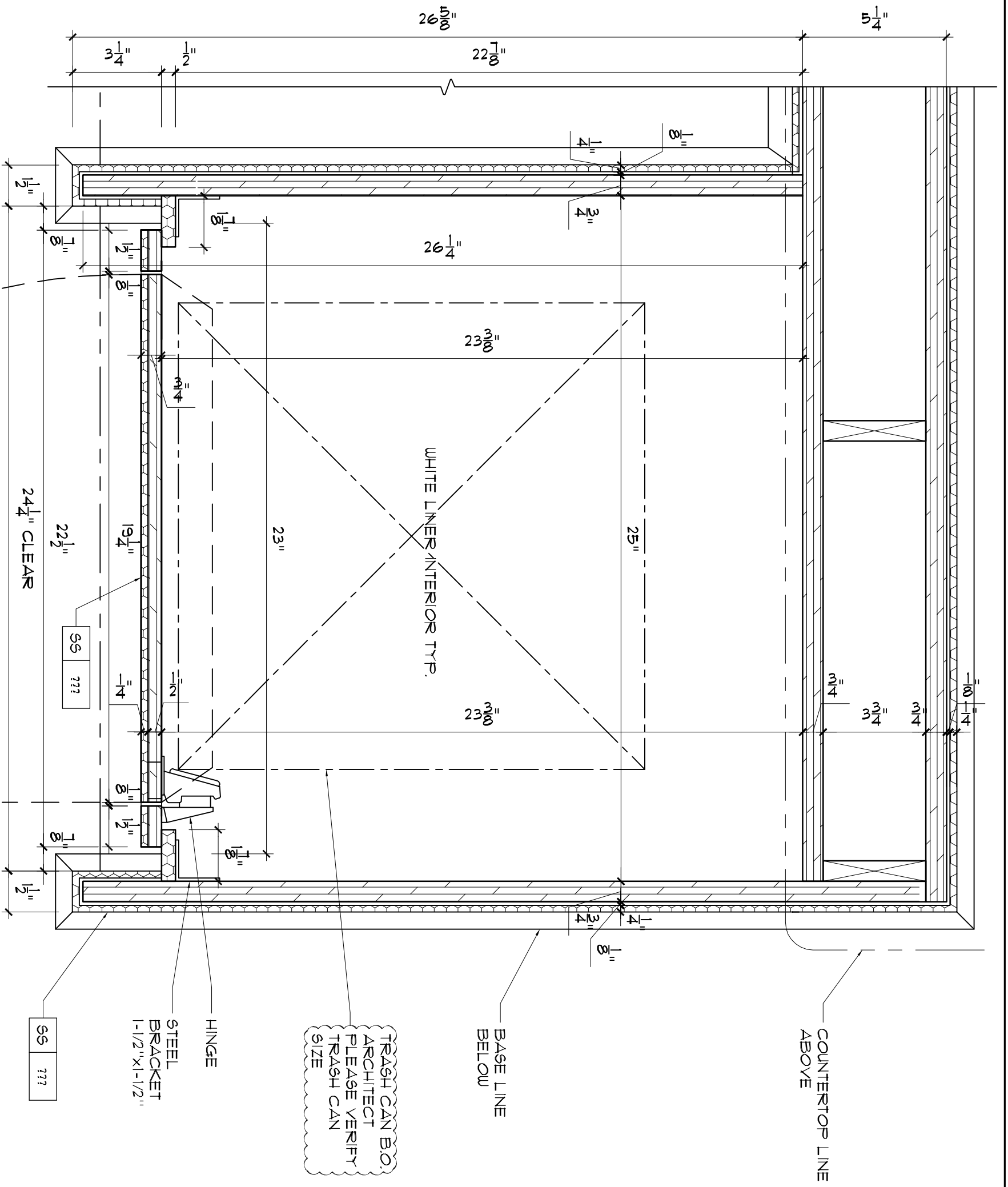


SKETCH 1 / 4 ELEVATION - FOOD COURT ISLANDS RM. 123
 SCALE: 3/4" = 1'-0"

PROJECT: Mall Management LOCATION: Orlando, Florida DRAWING TITLE: FOOD COURT ISLANDS RM. 123	DRAWN BY: NB CHECKED BY: DATE: 07/20/07 JOB NO.: 2710 DRAWING NO.: 08 SHEET NO.: 4 OF 8
---	--



PROJECT: Mall Management	
LOCATION: Orlando, Florida	
DRAWING TITLE: FOOD COURT ISLANDS RM. 123	
CHECKED BY: NB	DRAWN BY: NB
DATE: 07/20/07	JOB NO.: 2710
	DRAWING NO.: 08
	SHEET NO.: 5 OF 8



PLAN SECTION - TRASH UNIT TYP.
 SCALE: N/A
 3" = 1'-0"

TRASH CAN B.O.
 ARCHITECT
 PLEASE VERIFY
 TRASH CAN
 SIZE

COUNTERTOP LINE
 ABOVE

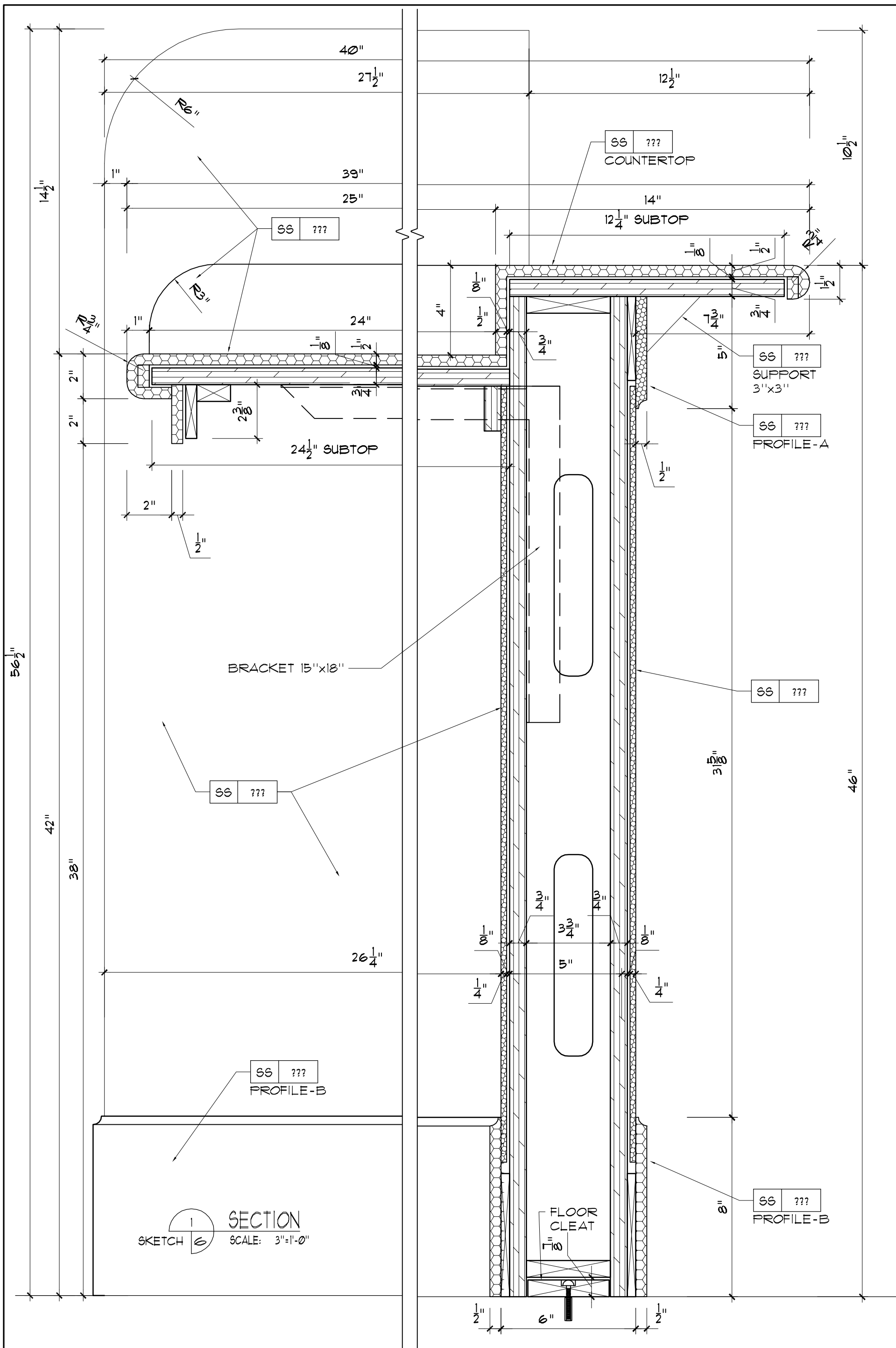
BASE LINE
 BELOW

HINGE
 STEEL
 BRACKET
 1-1/2" X 1-1/2"

SS 111

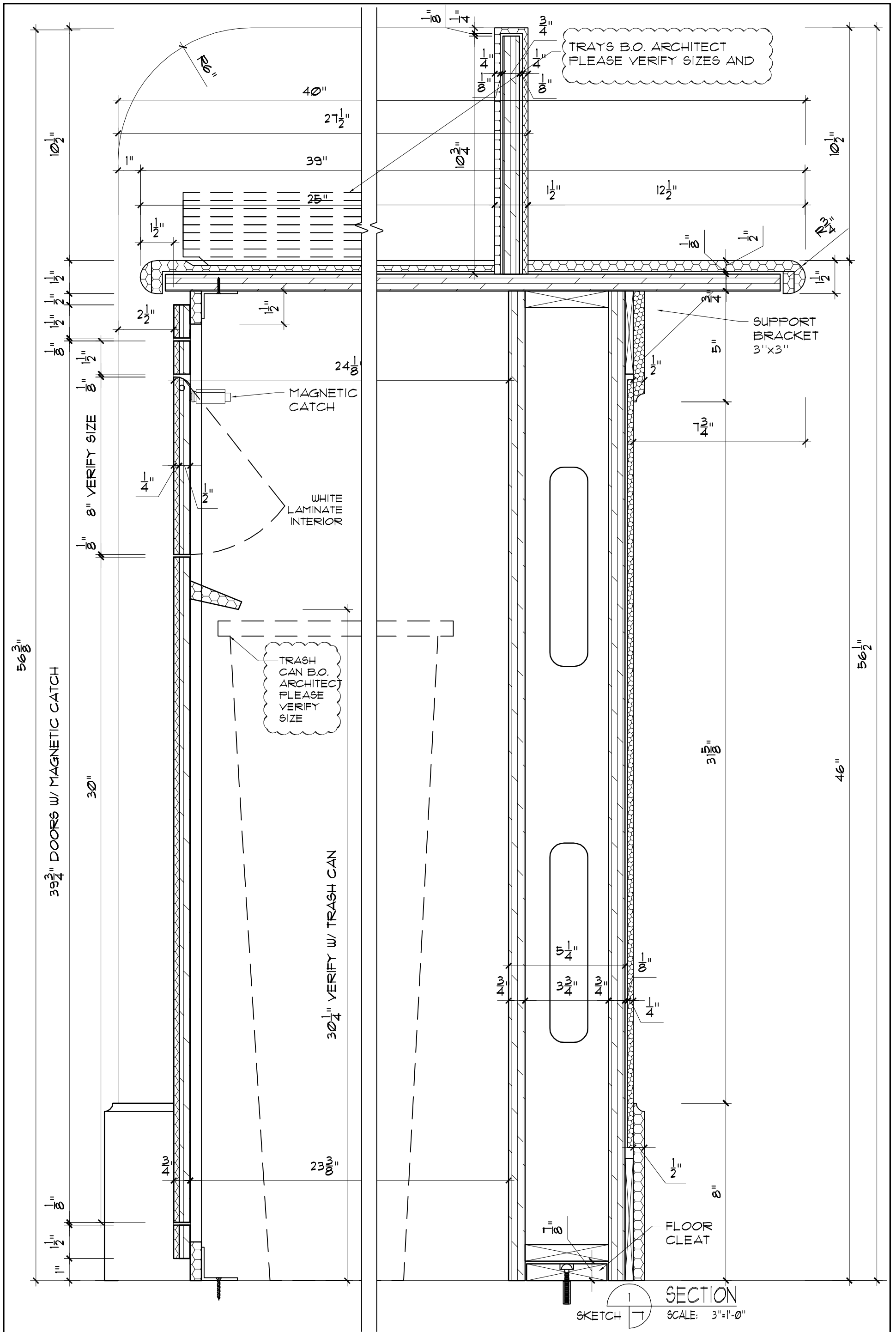
SS 111

PROJECT:	Mall Management
LOCATION:	Orlando, Florida
DRAWING TITLE:	FOOD COURT ISLANDS RM. 123
DRAWN BY:	NB
CHECKED BY:	
DATE:	07/20/07
JOB NO.:	2710
DRAWING NO.:	08
SHEET NO.:	5A OF 8

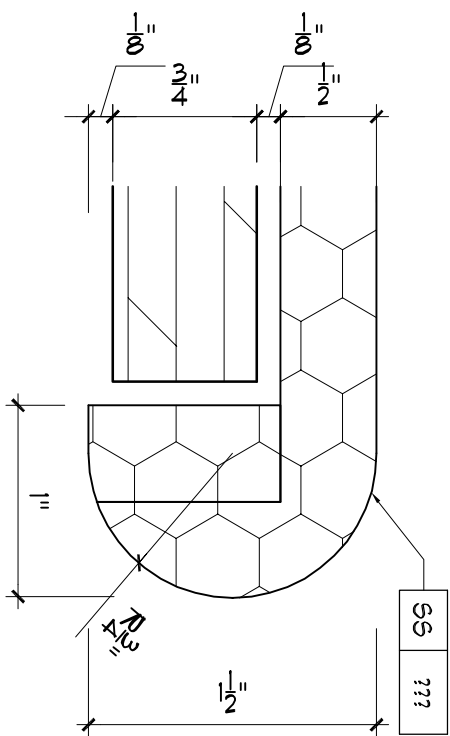
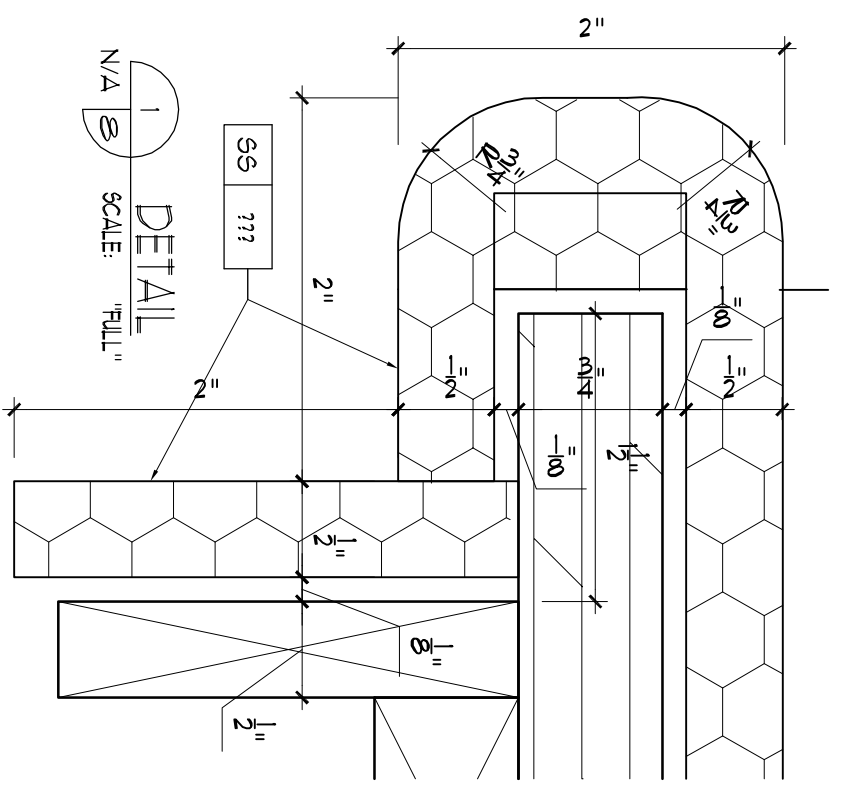


SECTION
 SKETCH 1/6
 SCALE: 3"=1'-0"

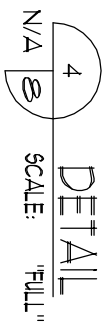
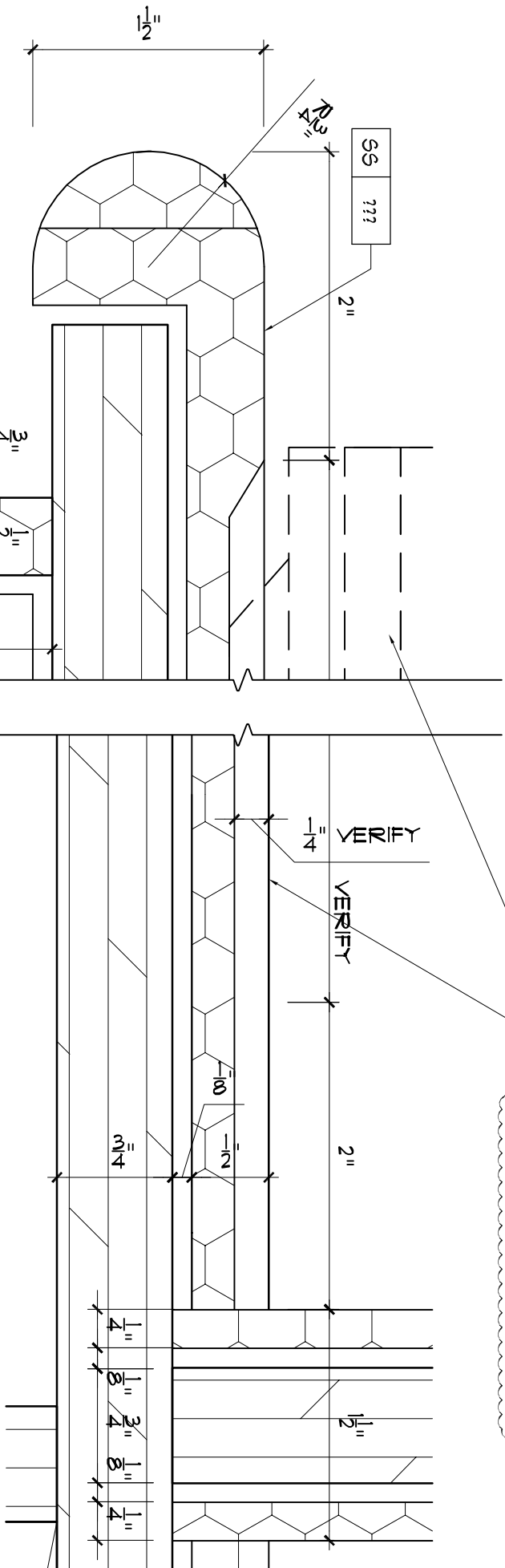
SHEET NO. 08 6 OF 8	DRAWING NO. 2710	JOB NO. 2710	DATE 07/20/07	CHECKED BY NB	PROJECT: Mall Management
					LOCATION: Orlando, Florida
					DRAWING TITLE: FOOD COURT ISLANDS RM. 123



SHEET NO. 7 OF 8	DRAWING NO. 08	JOB NO. 2710	DATE 07/20/07	CHECKED BY NB	DRAWN BY NB	PROJECT: Mall Management
						LOCATION: Orlando, Florida
DRAWING TITLE: FOOD COURT ISLANDS RM. 123						



TRAYS B.O. ARCHITECT
PLEASE VERIFY SIZES



DRAWING NO. 08	JOB NO. 2710	DATE 07/20/07	CHECKED BY NB	PROJECT: Mall Management
				LOCATION: Orlando, Florida
SHEET NO. 8 OF 8	DRAWING NO. 2710	DATE 07/20/07	CHECKED BY NB	DRAWN BY NB
				DRAWING TITLE: FOOD COURT ISLANDS RM. 123